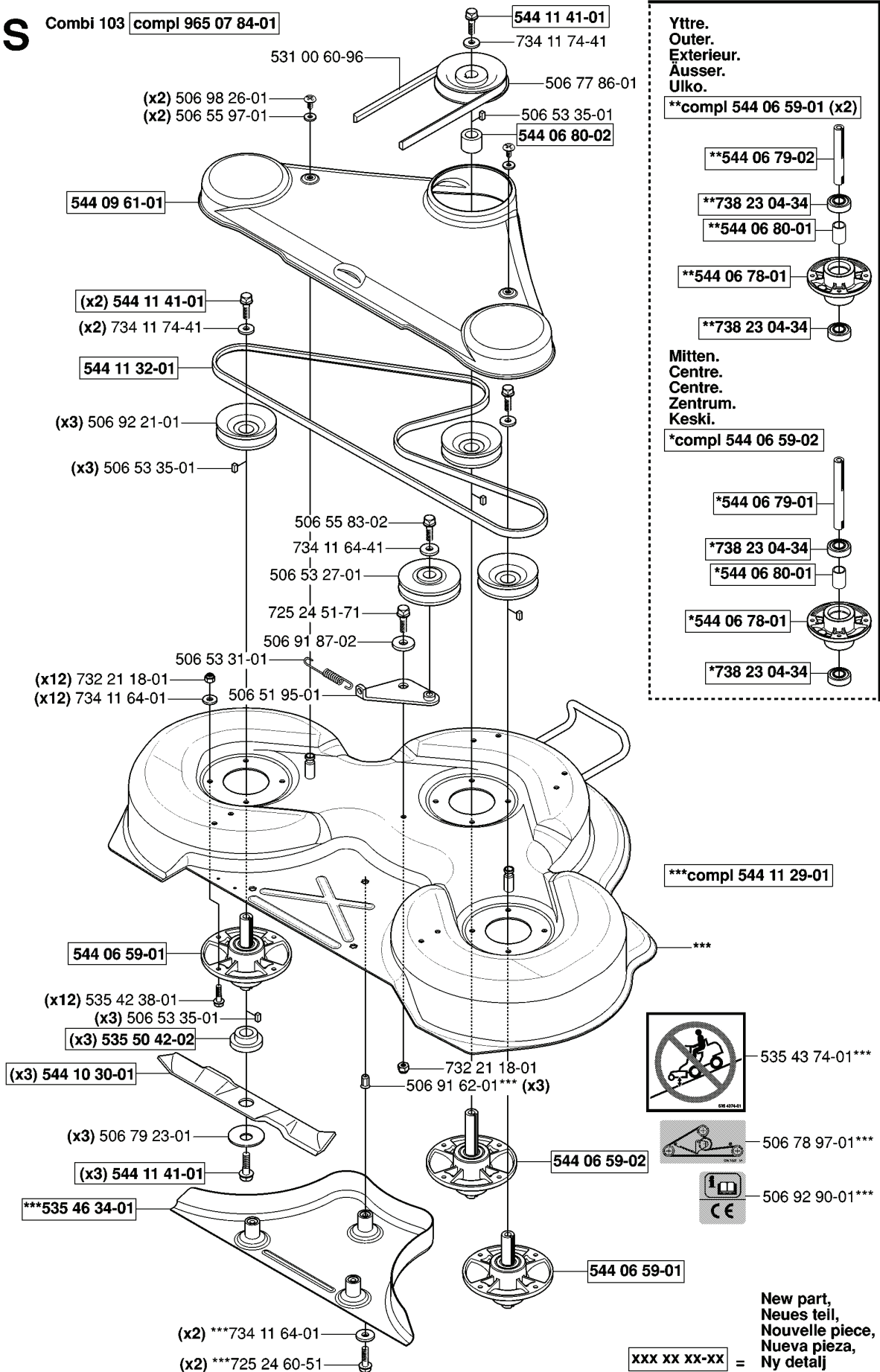


RESERVDELSKATALOG
: HUSQVARNA

Reservdelslista

RESERVDELSLISTA

S Combi 103 compl 965 07 84-01



**Yttre.
Outer.
Exterieur.
Ausser.
Ulko.**

**compl 544 06 59-01 (x2)

**544 06 79-02

**738 23 04-34

**544 06 80-01

**544 06 78-01

**738 23 04-34

**Mitten.
Centre.
Centre.
Zentrum.
Keski.**

*compl 544 06 59-02

*544 06 79-01

*738 23 04-34

*544 06 80-01

*544 06 78-01


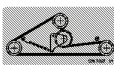

*738 23 04-34

***compl 544 11 29-01

535 43 74-01***

506 78 97-01***

506 92 90-01***

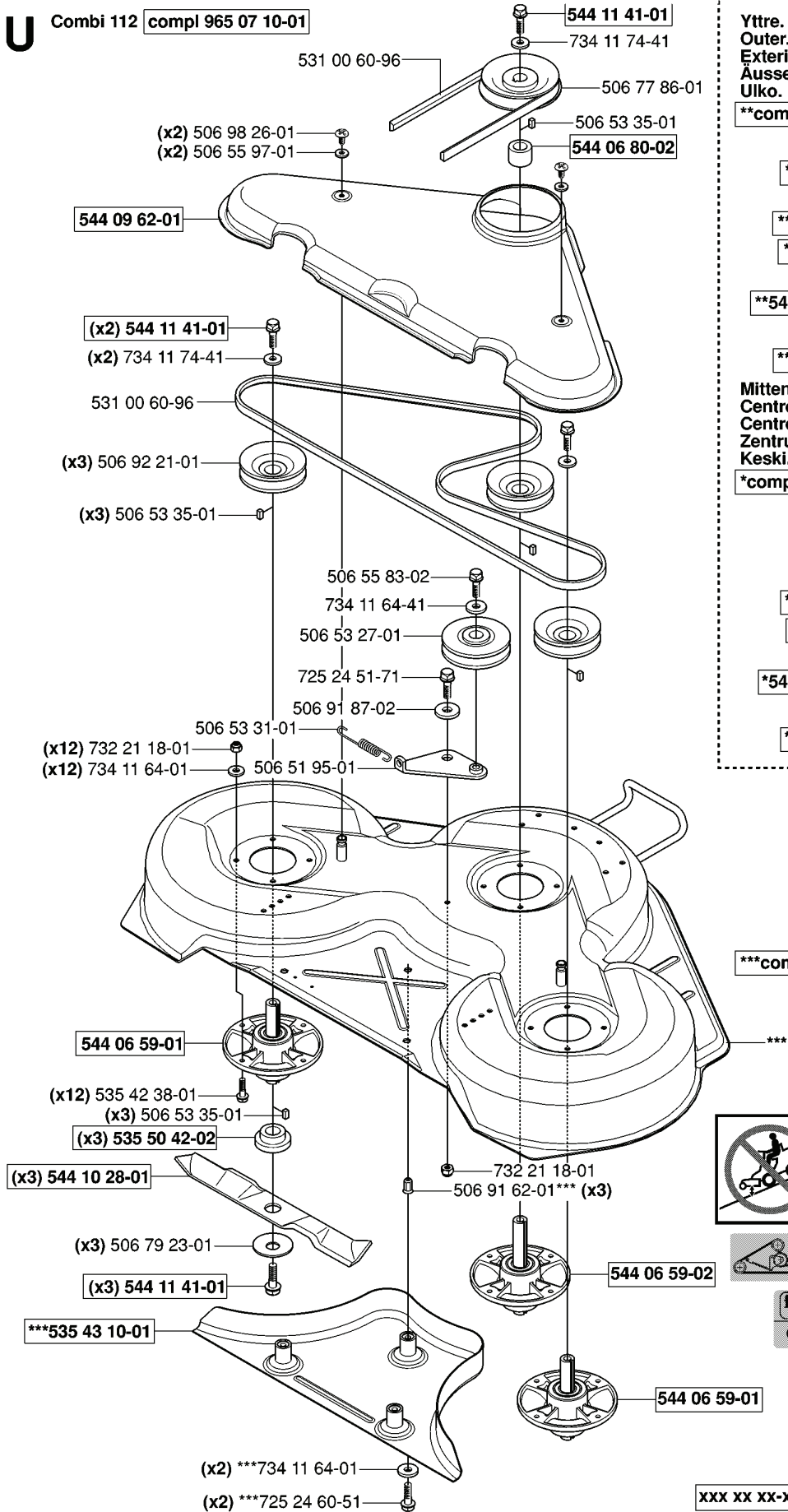
  

New part,
Neues teil,
Nouvelle piece,
Nueva pieza,
Ny detalj

XXX XX XX-XX =

REF.	ART. NR	ARTIKELBESKRIVNING	ANMÄRKNING	KIT
965 07 84-01	965078401	KLIPPAGGREGAT	COMBI 103	1
594 97 80-01	594978001	REM		1
506 98 26-01	506982601	SCREW		2
506 55 97-01	506559701	BRICKA		2
544 09 61-01	544096101	REMKÅPA		1
544 11 41-01	544114101	SKRUV EHHM		2
734 11 74-41	734117441	BRICKA		2
544 11 32-01	544113201	REM		1
506 92 21-01	506922101	REMSKIVA		3
506 55 83-02	506558302	SKRUV EHHFT		1
734 11 64-41	734116441	BRICKA		1
506 53 27-01	506532701	REMSKIVA		1
725 24 51-71	725245171	SKRUV EHHM		1
506 91 87-02	506918702	BRICKA		1
506 53 31-01	506533101	FJÄDER		1
506 51 95-01	506519501	SPÄNNARM KPL.		1
734 11 64-01	734116401	BRICKA		12
544 06 59-01	544065901	KNIVHUS KPL	YTTRE.	1
535 42 38-01	535423801	SKRUV RSQM		12
506 53 35-01	506533501	PLATTKIL		3
535 50 42-02	535504202	ADAPTER		3
544 10 30-01	544103001	KNIV		3
506 79 23-01	506792301	KNIFE PLATE		3
535 46 34-01	535463401	PLUG ASSY		1
725 24 60-51	725246051	SKRUV EHHM		2
544 06 59-02	544065902	KNIVHUS KPL	MITTEN.	1
506 91 62-01	506916201	MUTTER		3
732 21 18-01	732211801	LOCK NUT		1
506 92 90-01	506929001	DEKAL		1
506 78 97-01	506789701	DEKAL		1
535 43 74-01	535437401	LABEL WARNING		1
544 11 29-01	544112901	KLIPPAGGREGAT		1
544 06 80-01	544068001	DISTANSHYLSA		1
544 06 79-01	544067901	AXEL		1
738 23 04-34	738230434	KULLAGER		1
544 06 78-01	544067801	LAGERHUS		1
544 06 79-02	544067902	AXEL		1
544 06 80-02	544068002	DISTANSHYLSA		1
506 77 86-01	506778601	REMSKIVA		1

U Combi 112 **compl 965 07 10-01**



Yttre.
Outer.
Exterieur.
Äusser.
Ulko.

****compl 544 06 59-01 (x2)**

****544 06 79-02**

****738 23 04-34**

****544 06 80-01**

****544 06 78-01**

****738 23 04-34**

Mitten.
Centre.
Centre.
Zentrum.
Keski.

***compl 544 06 59-02**

***544 06 79-01**

***738 23 04-34**

***544 06 80-01**

***544 06 78-01**

***738 23 04-34**

*****compl 544 11 30-01**



535 43 74-01***



506 78 97-01***



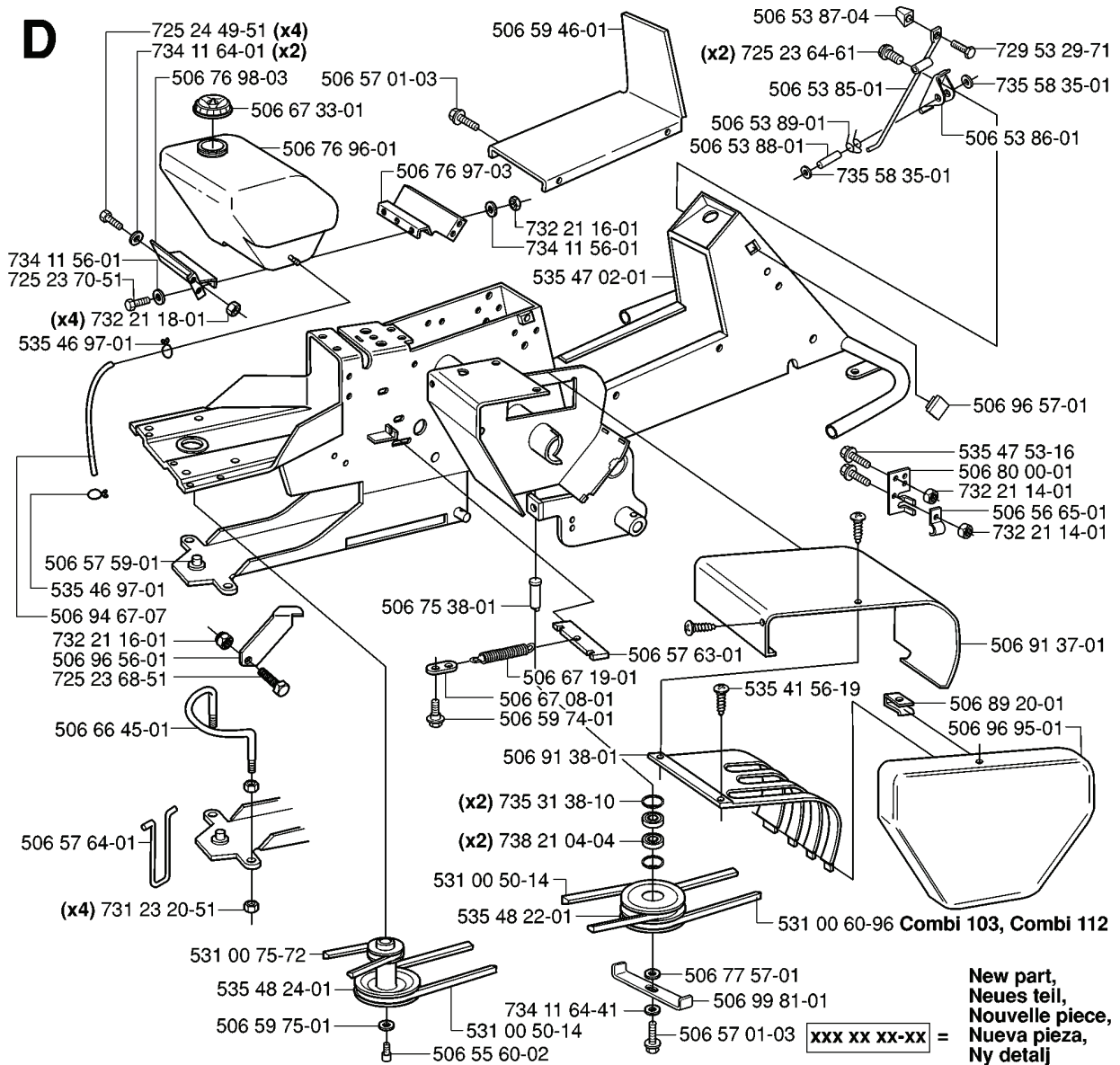
506 92 90-01***

New part,
Neues teil,
Nouvelle piece,
Nueva pieza,
Ny detalj

xxx xx xx-xx =

REF.	ART. NR	ARTIKELBESKRIVNING	ANMÄRKNING	KIT
965 07 10-01	965071001	KLIPPAGGREGAT	COMBI 112	1
594 97 80-01	594978001	REM		1
506 98 26-01	506982601	SCREW		2
506 55 97-01	506559701	BRICKA		2
544 09 62-01	544096201	REMKÅPA		1
734 11 74-41	734117441	BRICKA		2
589 51 46-01	589514601	REM		1
506 92 21-01	506922101	REMSKIVA		3
506 55 83-02	506558302	SKRUV EHHFT		1
734 11 64-41	734116441	BRICKA		1
506 53 27-01	506532701	REMSKIVA		1
725 24 51-71	725245171	SKRUV EHHM		1
506 91 87-02	506918702	BRICKA		1
506 53 31-01	506533101	FJÄDER		1
506 51 95-01	506519501	SPÄNNARM KPL		1
732 21 18-01	732211801	LOCK NUT		12
535 42 38-01	535423801	SKRUV RSQM		12
506 53 35-01	506533501	PLATTKIL		3
535 50 42-02	535504202	ADAPTER		3
544 10 28-01	544102801	RIDE ON BLADE		3
506 79 23-01	506792301	KNIFE PLATE		3
544 11 41-01	544114101	SKRUV EHHM		3
535 43 10-01	535431001	PLUG ASSY		1
734 11 64-01	734116401	BRICKA		2
725 24 60-51	725246051	SKRUV EHHM		2
506 92 90-01	506929001	DEKAL		1
506 78 97-01	506789701	DEKAL		1
506 91 62-01	506916201	MUTTER		3
535 43 74-01	535437401	LABEL WARNING		1
544 11 30-01	544113001	KLIPPAGGREGAT		1
544 06 78-01	544067801	LAGERHUS		1
544 06 79-01	544067901	AXEL		1
544 06 59-02	544065902	KNIVHUS KPL	MITTEN.	1
544 06 80-01	544068001	DISTANSHYLSA		1
738 23 04-34	738230434	KULLAGER		1
544 06 79-02	544067902	AXEL		1
544 06 59-01	544065901	KNIVHUS KPL	YTTRE.	2
544 06 80-02	544068002	DISTANSHYLSA		1
506 77 86-01	506778601	REMSKIVA		1

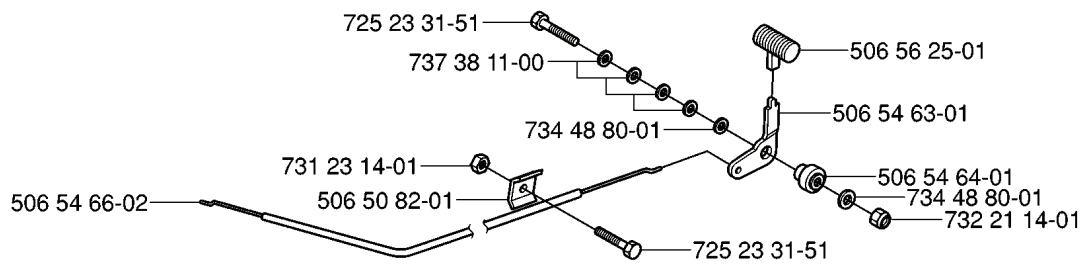
D



REF.	ART. NR	ARTIKELBESKRIVNING	ANMÄRKNING	KIT
725 24 49-51	725244951	SCREW		4
734 11 64-01	734116401	BRICKA		2
506 76 98-03	506769803	FÄSTE		1
506 57 01-03	506570103	SKRUV EHHFM		1
506 67 33-01	506673301	TANKLOCK KPL		1
506 76 96-01	506769601	BRÄNSLETANK		1
506 76 97-03	506769703	FÄSTE		1
734 11 56-01	734115601	BRICKA		1
725 23 70-51	725237051	SCREW		1
732 21 18-01	732211801	LOCK NUT		4
506 57 59-01	506575901	LAGERTAPP		1
535 46 97-01	535469701	HOSE BRACE		1
506 94 67-07	506946707	BRÄNSLESLANG		1
506 96 56-01	506965601	SKYDDSPÅT		1
725 23 68-51	725236851	SCREW		1
506 66 45-01	506664501	REMSTYRARE		1
506 57 64-01	506576401	KABELHÅLLARE		1
731 23 20-51	731232051	MUTTER (HEXAGON)		4
531 00 75-72	531007572	REM		1
535 48 24-01	535482401	REMSKIVA		1
506 59 75-01	506597501	BRICKA		1
506 55 60-02	506556002	SCREW UNC		1
531 00 50-14	531005014	REM		1
734 11 64-41	734116441	BRICKA		1
535 48 22-01	535482201	REMSKIVA		1
738 21 04-04	738210404	KULLAGER		2
735 31 38-10	735313810	SPÅRRING		2
506 91 38-01	506913801	REGLAGEPLÅT		1
506 59 74-01	506597401	SKRUV EHHFM		1
506 67 08-01	506670801	LÄNK		1
506 67 19-01	506671901	FJÄDER		1
506 75 38-01	506753801	AXEL		1
535 47 02-01	535470201	RAM		1
732 21 16-01	732211601	LOCK NUT		1
506 59 46-01	506594601	LOCK GOLVTUNNEL		1
506 53 87-04	506538704	MANÖVERKNAPP		1
725 23 64-61	725236461	SKRUV EHHFT		2
506 53 85-01	506538501	LOCKING ARM		1
506 53 89-01	506538901	FJÄDER		1
506 53 88-01	506538801	AXEL		1
735 58 35-01	735583501	BRICKA		1

REF.	ART. NR	ARTIKELBESKRIVNING	ANMÄRKNING	KIT
506 57 63-01	506576301	FJÄDERFÄSTE		1
535 41 56-19	535415619	SCREW		1
589 51 46-01	589514601	REM	COMBI 103, COMBI 112	1
506 77 57-01	506775701	BRICKA		1
506 99 81-01	506998101	REMSTYRARE		1
506 96 95-01	506969501	CONTROL CAP		1
506 89 20-01	506892001	SPEED NUT		1
506 91 37-01	506913701	TÄCKPLATTA		1
732 21 14-01	732211401	LOCK NUT		1
506 56 65-01	506566501	KLÄMMA		1
506 80 00-01	506800001	FÄSTE		1
535 47 53-16	535475316	SKRUV EHHFM		1
506 96 57-01	506965701	PLUGG		1
506 53 86-01	506538601	FÄSTE		1
729 53 29-71	729532971	SKRUV CRPANT		1

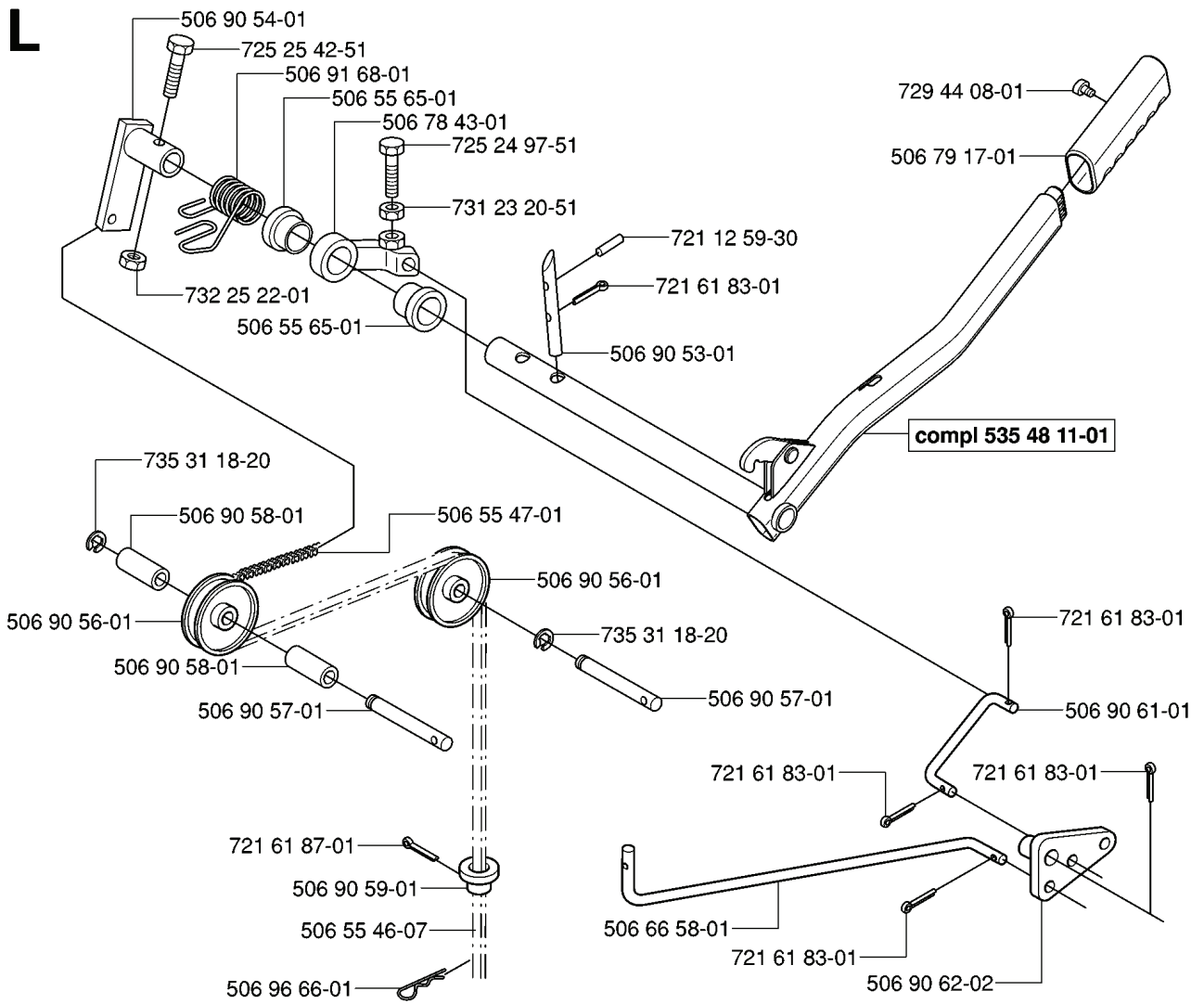
K



xxx xx xx-xx = **New part,
Neues teil,
Nouvelle piece,
Nueva pieza,
Ny detalj**

REF.	ART. NR	ARTIKELBESKRIVNING	ANMÄRKNING	KIT
506 90 54-01	506905401	LYFTARM		1
725 25 42-51	725254251	SKRUV EHHM		1
506 91 68-01	506916801	FJÄDER		1
506 55 65-01	506556501	LAGER		1
506 78 43-01	506784301	LÄNK KPL		1
725 24 97-51	725249751	SCREW		1
731 23 20-51	731232051	MUTTER (HEXAGON)		1
732 25 22-01	732252201	HEXAGON LÅSMUTTER		1
735 31 18-20	735311820	SPÅRRYTARE		1
506 90 58-01	506905801	RÖRHILSA		1
721 61 87-01	721618701	SPLIT PIN		1
506 90 59-01	506905901	KEDJESTOPP		1
506 55 46-07	506554607	KEDJA		1
506 96 66-01	506966601	HAIR PIN COTTER		1
506 90 62-02	506906202	LÄNK KPL		1
506 66 58-01	506665801	CLUTCH ROD REAR		1
721 61 83-01	721618301	SPLIT PIN		1
506 90 57-01	506905701	AXEL		1
506 90 56-01	506905601	BRYTHJUL		1
506 55 47-01	506554701	LINKAGE		1
506 90 53-01	506905301	PENNOR		1
721 12 59-30	721125930	RÄFFELPINNE		1
506 90 61-01	506906101	KOPPLINGSSTÅNG		1
535 48 11-01	535481101	LIFT LEVER CPL.		1
506 79 17-01	506791701	HANDTAG		1
729 44 08-01	729440801	SCREW SLCSRT		1

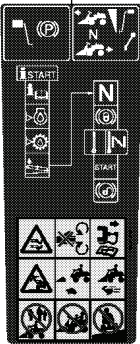
L



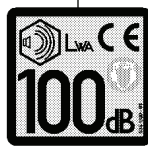
REF.	ART. NR	ARTIKELBESKRIVNING	ANMÄRKNING	KIT
506 90 76-01	506907601	LYFTSPAK KPL		1
725 24 57-51	725245751	SCREW		1
506 76 88-01	506768801	BUSHING		1
721 61 87-01	721618701	SPLIT PIN		1
506 50 48-05	506504805	BRICKA		1
506 90 80-01	506908001	HÄVARM		1
732 21 18-01	732211801	LOCK NUT		1
506 51 08-01	506510801	NIPPEL		1
734 11 64-01	734116401	BRICKA		1
731 23 18-01	731231801	MUTTER (HEXAGON)		1
506 90 82-01	506908201	HEIGHT ROD		1
721 61 83-01	721618301	SPLIT PIN		1
506 99 83-01	506998301	LÄNK KPL		1
735 31 15-20	735311520	SPÄRRYTARE		1
725 24 53-51	725245351	SKRUV EHHM		1
506 83 57-01	506835701	FÄSTE		1
732 21 16-01	732211601	LOCK NUT		2
506 83 23-01	506832301	FJÄDER		1
506 97 51-01	506975101	KOPPLING		1
725 23 74-71	725237471	SKRUV EHHM		2
506 83 56-01	506835601	HÖJDSEGMENT		2
506 83 18-01	506831801	LÅS		1
506 83 17-01	506831701	END FITTING		1
506 90 79-01	506907901	TRYCKSTÅNG		1
506 90 70-01	506907001	KNOPP		1
506 90 71-01	506907101	HANDTAG		1
721 42 12-26	721421226	SPÄNNSTIFT		1

P

Warning
506 94 48-01



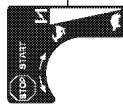
535 43 20-01



506 99 96-01



506 84 28-01



506 84 28-03



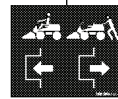
506 58 45-01



506 91 57-01



506 94 47-01



506 96 13-01



535 44 99-01



535 44 98-01



535 45 00-01



535 45 01-01



535 45 01-01



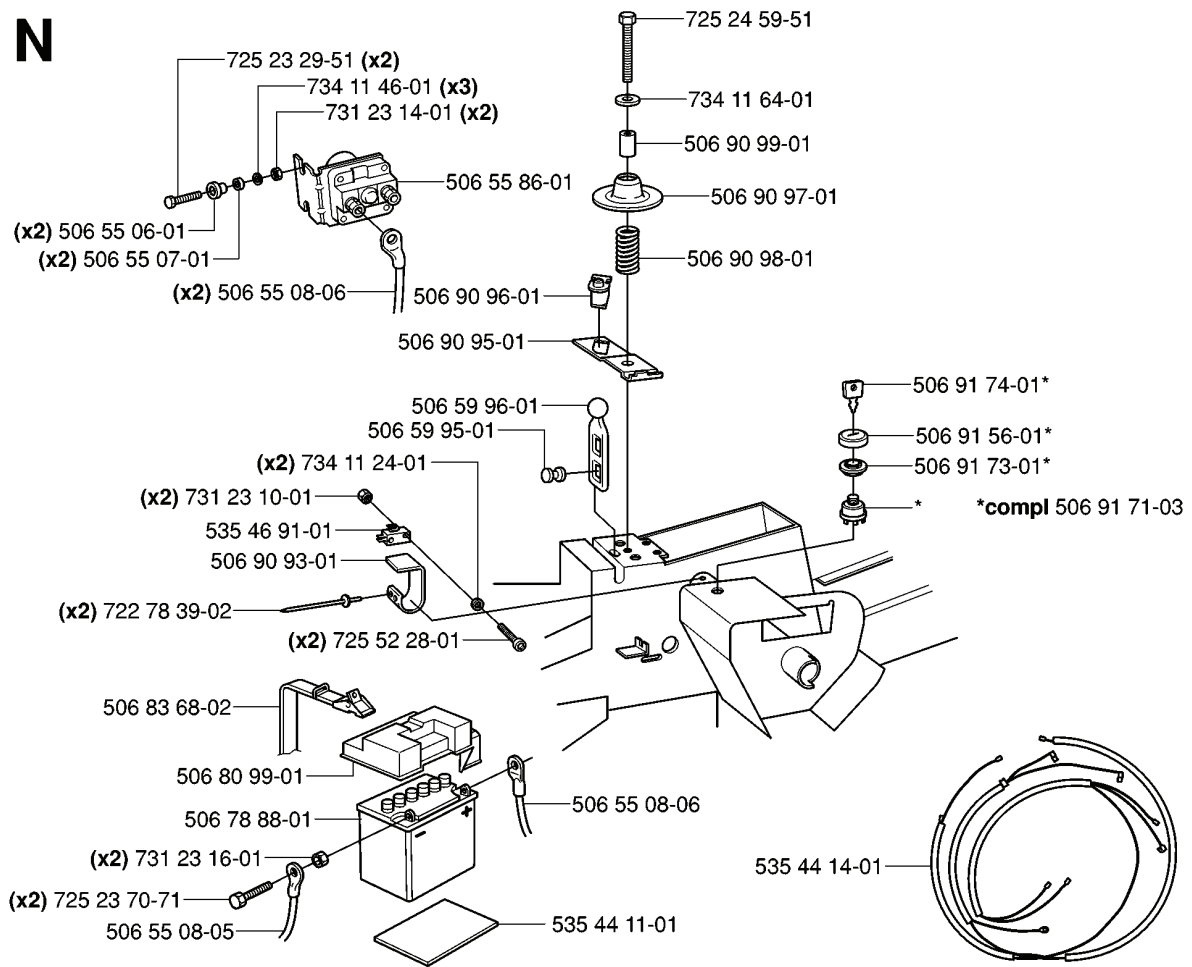
535 44 97-01 — **Rider 16**

Rider 16 — 535 44 97-02

**XXX XX XX-XX = New part,
Neues teil,
Nouvelle piece,
Nueva pieza,
Ny detalj**

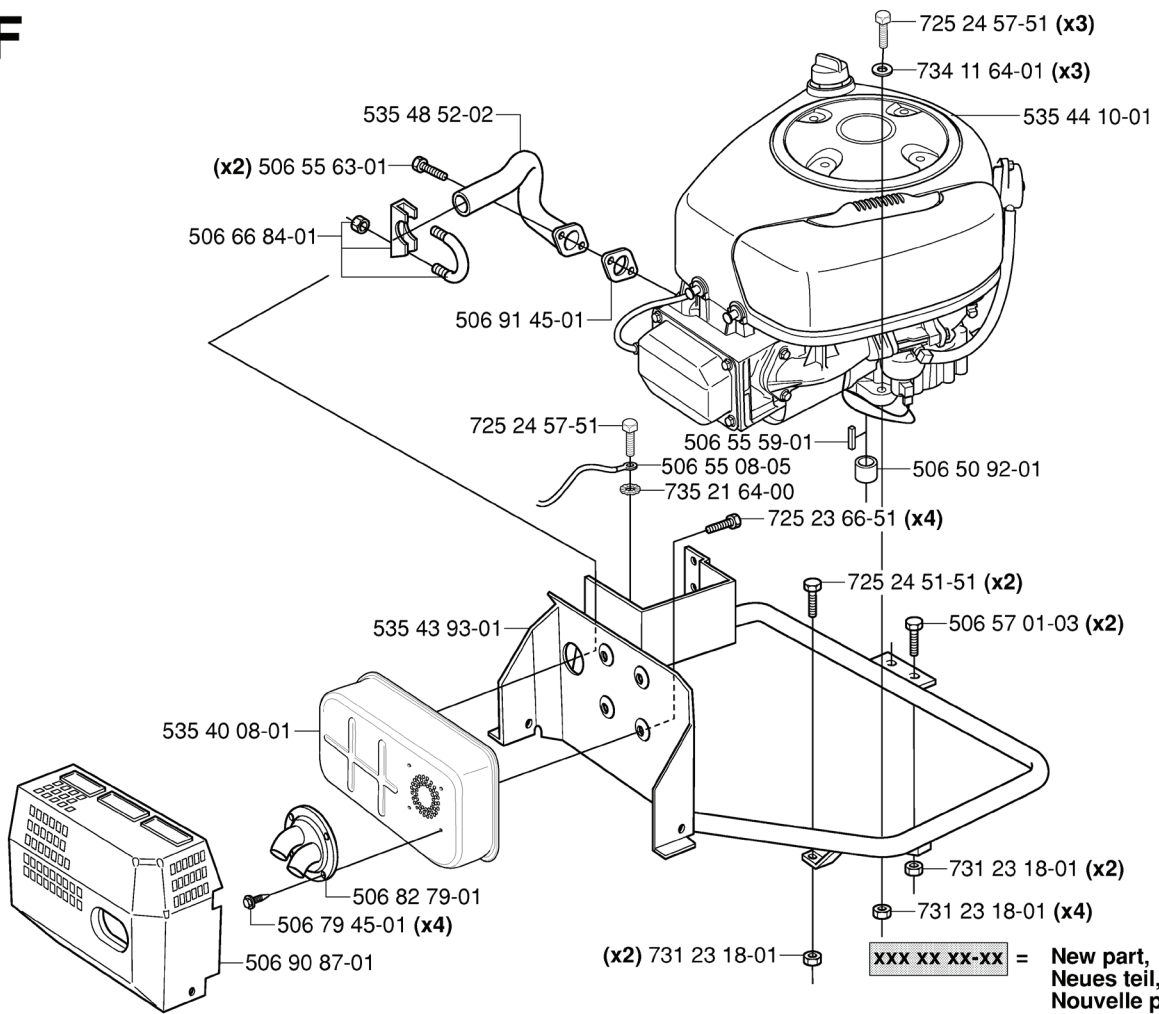
REF.	ART. NR	ARTIKELBESKRIVNING	ANMÄRKNING	KIT
506 94 48-01	506944801	DEKAL	WARNING	1
535 44 97-01	535449701	STRIPES MOTORKÅPA V		1
535 45 01-01	535450101	DEKAL		1
506 99 96-01	506999601	DEKAL		1
535 43 20-01	535432001	DEKAL		1
506 84 28-01	506842801	DEKAL		1
506 84 28-03	506842803	DEKAL		1
506 58 45-01	506584501	DEKAL		1
535 44 99-01	535449901	DEKAL		1
535 44 98-01	535449801	DEKAL		1
535 44 97-02	535449702	STRIPES MOTORKÅPA H		1
535 45 00-01	535450001	DEKAL		1
506 96 13-01	506961301	DEKAL		1
506 94 47-01	506944701	HYDROSTATIC LABEL		1
506 91 57-01	506915701	DEKAL		1

N



REF.	ART. NR	ARTIKELBESKRIVNING	ANMÄRKNING	KIT
725 23 29-51	725232951	SCREW		2
734 11 46-01	734114601	BRICKA		3
731 23 14-01	731231401	MUTTER (HEXAGON)		2
506 55 86-01	506558601	RELÄ		1
506 55 06-01	506550601	PLUGG		2
506 55 07-01	506550701	INSULATING WASHER		2
506 90 96-01	506909601	BRYTARE		1
506 90 95-01	506909501	SWITCH ATTACHMENT SE		1
506 59 96-01	506599601	GUMMISTROPP		1
506 59 95-01	506599501	KNAPP		1
734 11 24-01	734112401	BRICKA		2
731 23 10-01	731231001	MUTTER (HEXAGON)		2
535 46 91-01	535469101	BRYTARE		1
506 90 93-01	506909301	BLADFJÄDER		1
722 78 39-02	722783902	BLIND RIVET		2
506 83 68-02	506836802	REM		1
506 80 99-01	506809901	BATTERY COVER		1
506 78 88-01	506788801	BATTERI		1
731 23 16-01	731231601	MUTTER (HEXAGON)		2
725 23 70-71	725237071	SKRUV EHHM		2
506 55 08-05	506550805	STARTKABEL BATT-JORD		1
725 52 28-01	725522801	SKRUV IHSCM		2
506 55 08-06	506550806	STARTKABEL BATT-RELÄ		1
535 44 11-01	535441101	BATTERY MAT		1
535 44 14-01	535441401	KABLAG		1
506 91 71-03	506917103	TÄNDNINGSLÅS		1
506 91 73-01	506917301	MUTTER		1
506 91 56-01	506915601	SKYDD		1
506 91 74-01	506917401	TANGENT		1
506 90 98-01	506909801	FJÄDER		1
506 90 97-01	506909701	FJÄDERBRICKA		1
506 90 99-01	506909901	DISTANSRÖR		1
734 11 64-01	734116401	BRICKA		1
725 24 59-51	725245951	SKRUV EHHM		1

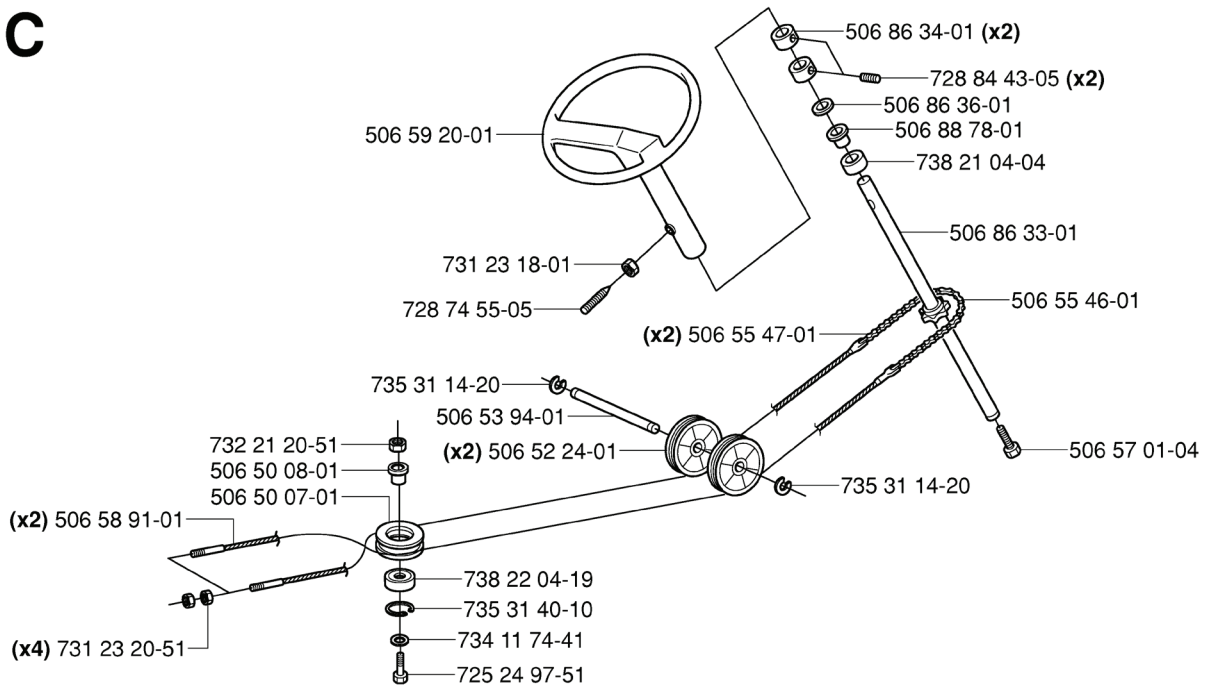
F



xxx xx xx-xx = New part,
Neues teil,
Nouvelle piece,
Nueva pieza,
Ny detalj

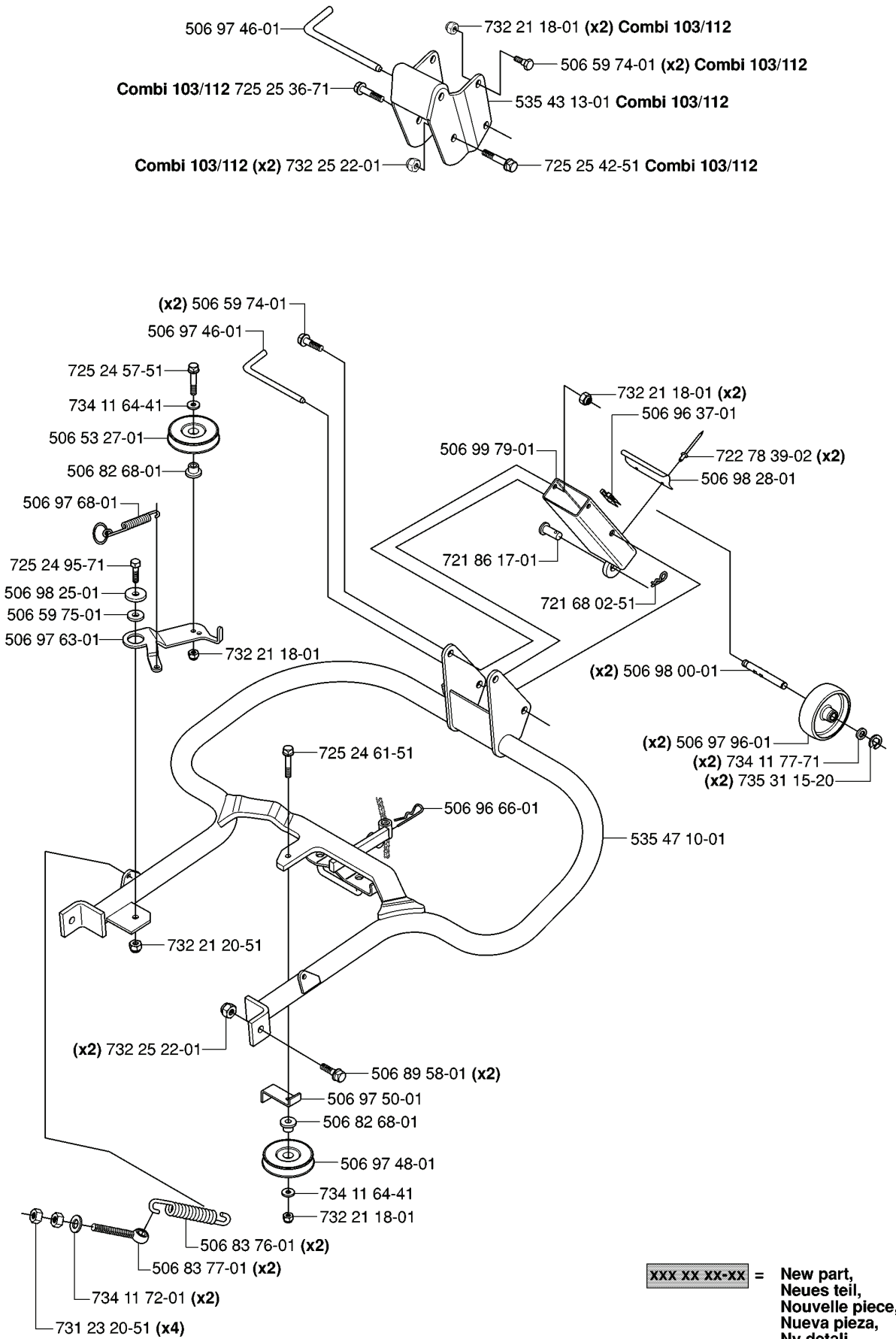
REF.	ART. NR	ARTIKELBESKRIVNING	ANMÄRKNING	KIT
535 48 52-02	535485202	AVGASRÖR KPL		1
506 55 63-01	506556301	SCREW UNC		2
506 66 84-01	506668401	CLAMP ASSY		1
506 91 45-01	506914501	PACKNING		1
725 24 57-51	725245751	SCREW		1
535 43 93-01	535439301	MOTORBÅGE		1
535 40 08-01	535400801	LJUDDÄMPARE KPL		1
506 82 79-01	506827901	DEFLEKTOR		1
506 79 45-01	506794501	SCREW		4
506 90 87-01	506908701	VÄRMESKYDD		1
731 23 18-01	731231801	MUTTER (HEXAGON)		2
506 57 01-03	506570103	SKRUV EHHFM		2
725 24 51-51	725245151	SCREW		2
725 23 66-51	725236651	HEXAGONAL SCREW M6X12		4
735 21 64-00	735216400	LÅSBRICKA		1
506 55 08-05	506550805	STARTKABEL BATT-JORD		1
506 55 59-01	506555901	KIL		1
506 50 92-01	506509201	DISTANSHYLSA		1
535 44 10-01	535441001	MOTOR		1
734 11 64-01	734116401	BRICKA		3

C



REF.	ART. NR	ARTIKELBESKRIVNING	ANMÄRKNING	KIT
506 59 20-01	506592001	RATT		1
731 23 18-01	731231801	MUTTER (HEXAGON)		1
728 74 55-05	728745505	SKRUV IHSETM		1
506 53 94-01	506539401	AXEL		1
506 52 24-01	506522401	LINHJUL		2
732 21 20-51	732212051	MUTTER		1
506 50 08-01	506500801	BUSHING		1
506 50 07-01	506500701	BARRING WHEEL		1
506 58 91-01	506589101	WIRE KPL		2
731 23 20-51	731232051	MUTTER (HEXAGON)		4
738 22 04-19	738220419	KULLAGER		1
735 31 40-10	735314010	SPÄRRING		1
734 11 74-41	734117441	BRICKA		1
725 24 97-51	725249751	SCREW		1
735 31 14-20	735311420	SPÄRRYTARE		1
506 55 47-01	506554701	LINKAGE		2
506 57 01-04	506570104	SKRUV EHHFM		1
506 55 46-01	506554601	KEDJA		1
506 86 33-01	506863301	ROD STEERING ASSY		1
738 21 04-04	738210404	KULLAGER		1
506 88 78-01	506887801	DISTANSBRICKA		1
506 86 36-01	506863601	BRICKA		1
728 84 43-05	728844305	SKRUV IHSETM		2
506 86 34-01	506863401	MEDBRINGARE		2

Q



xxx xx xx-xx = New part,
Neues teil,
Nouvelle piece,
Nueva pieza,
Ny detalj

REF.	ART. NR	ARTIKELBESKRIVNING	ANMÄRKNING	KIT
506 97 46-01	506974601	PENNOR		1
725 25 36-71	725253671	SKRUV EHHM	COMBI 103/112	1
725 24 57-51	725245751	SCREW		1
506 53 27-01	506532701	REMSKIVA		1
506 82 68-01	506826801	BUSHING		1
506 97 68-01	506976801	FJÄDER		1
725 24 95-71	725249571	SKRUV EHHM		1
506 98 25-01	506982501	BRICKA		1
506 59 75-01	506597501	BRICKA		1
506 97 63-01	506976301	SPÄNNARM		1
732 21 18-01	732211801	LOCK NUT	COMBI 103/112	1
725 24 61-51	725246151	SKRUV EHHM		1
732 21 20-51	732212051	MUTTER		1
732 25 22-01	732252201	HEXAGON LÅSMUTTER	COMBI 103/112	2
731 23 20-51	731232051	MUTTER (HEXAGON)		4
734 11 72-01	734117201	BRICKA		2
506 83 77-01	506837701	RING BOLT		2
506 83 76-01	506837601	FJÄDER		2
734 11 64-41	734116441	BRICKA		1
506 97 48-01	506974801	REMSKIVA		1
506 97 50-01	506975001	REMSTYRARE		1
506 89 58-01	506895801	COLLAR SCREW		2
506 96 66-01	506966601	HAIR PIN COTTER		1
535 47 10-01	535471001	AGGREGATRAM KPL		1
735 31 15-20	735311520	SPÄRRYTTARE		2
734 11 77-71	734117771	BRICKA		2
506 97 96-01	506979601	HJUL		2
506 98 00-01	506980001	AXEL		2
721 68 02-51	721680251	SPRING COTTER		1
721 86 17-01	721861701	CLEVIS PIN		1
506 99 79-01	506997901	LÄNK KPL		1
506 98 28-01	506982801	FÄSTE		1
722 78 39-02	722783902	BLIND RIVET		2
506 96 37-01	506963701	LÅSDON		1
725 25 42-51	725254251	SKRUV EHHM	COMBI 103/112	1
535 43 13-01	535431301	LÄNKRÖRRSINFÄSTN.KPL	COMBI 103/112	1
506 59 74-01	506597401	SKRUV EHHFM	COMBI 103/112	2

B

*compl 506 98 46-05

(x2) *722 79 54-02

722 79 54-02* (x6)

506 96 35-01
506 96 36-01

535 43 39-01

506 91 34-01*

722 79 54-02* (x3)

734 11 37-41* (x3)

*506 91 36-01

506 96 93-01*

506 98 26-01 (x4)

(x2) 732 21 18-01

535 46 61-01

506 55 97-01 (x4)

*506 91 36-02

535 46 60-01

(x2) 506 83 94-01

(x2) 506 59 74-01

535 46 61-03

*535 43 96-01

(x2) *734 11 37-41

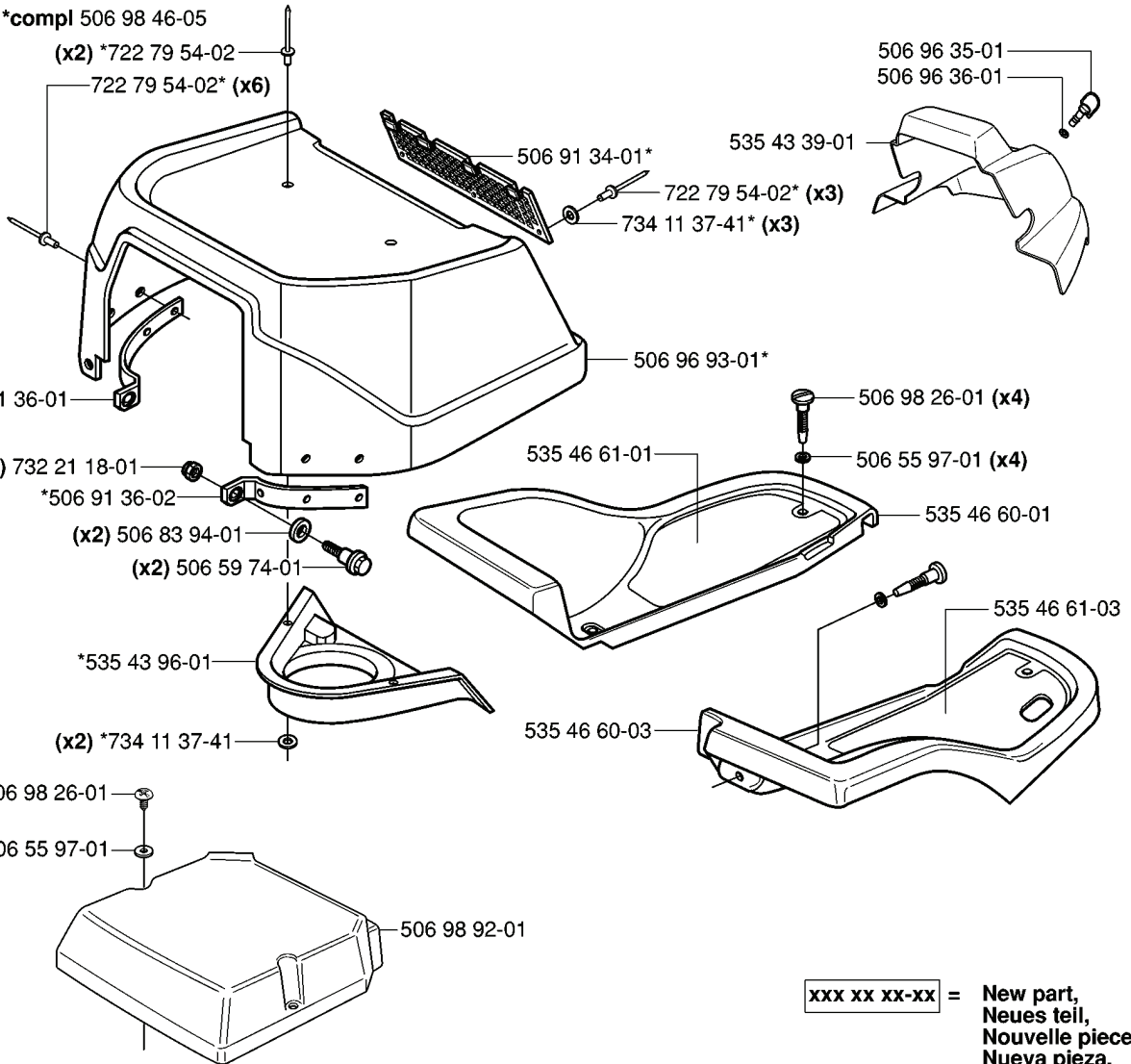
535 46 60-03

(x2) 506 98 26-01

(x2) 506 55 97-01

506 98 92-01

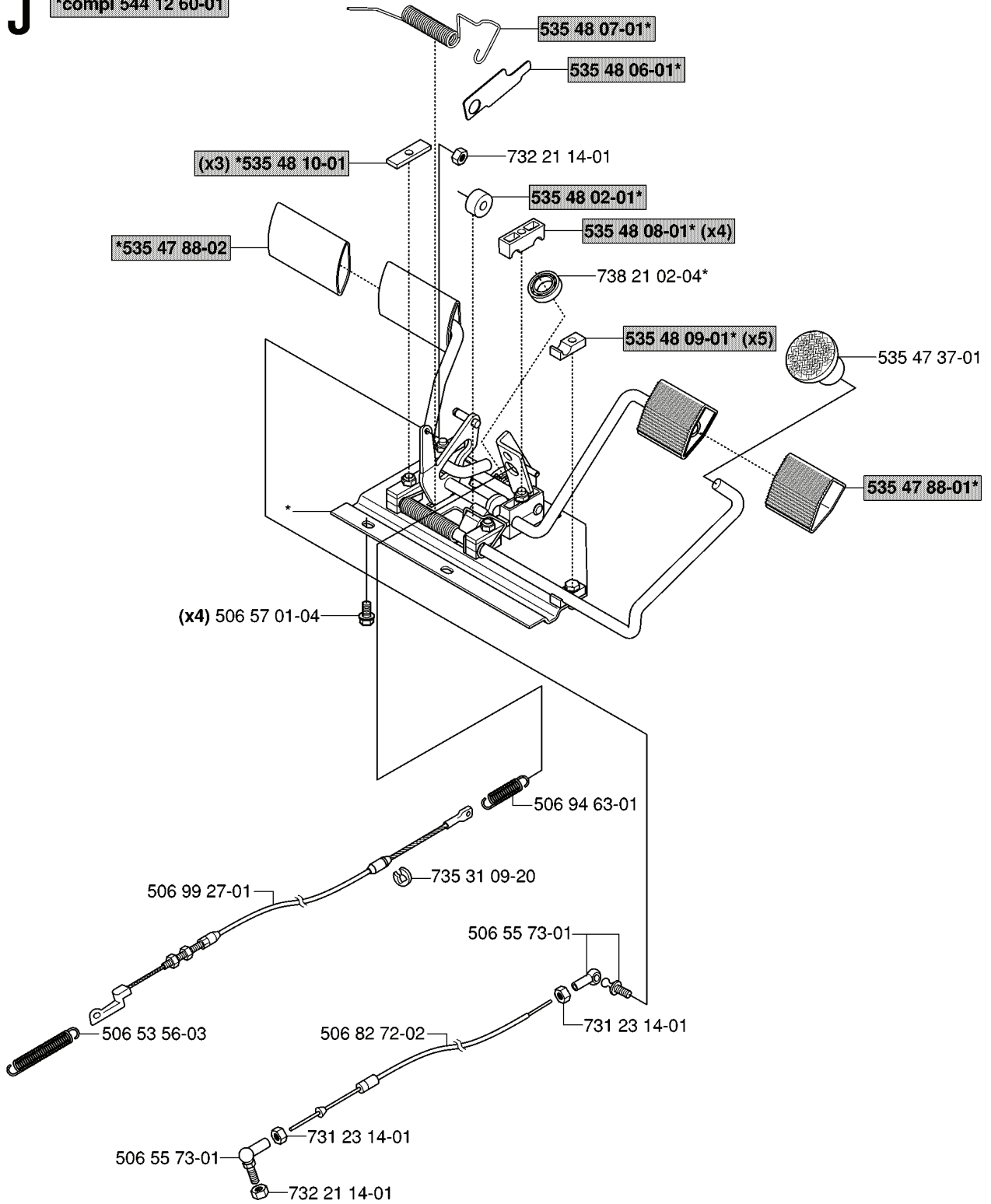
**xxx xx xx-xx = New part,
Neues teil,
Nouvelle piece,
Nueva pieza,
Ny detalj**



REF.	ART. NR	ARTIKELBESKRIVNING	ANMÄRKNING	KIT
506 98 46-05	506984605	MOTORKÅPA KPL		1
722 79 54-02	722795402	NIT		6
506 91 36-01	506913601	FÄSTE		1
732 21 18-01	732211801	LOCK NUT		2
506 91 36-02	506913602	FÄSTE		1
506 83 94-01	506839401	FJÄDERBRICKA		2
506 59 74-01	506597401	SKRUV EHHFM		2
535 43 96-01	535439601	LUFTLEDARE		1
506 98 26-01	506982601	SCREW		2
506 98 92-01	506989201	KÅPA		1
535 46 60-03	535466003	FLYGEL HÖ. HST		1
535 46 61-03	535466103	MATTA		1
535 46 60-01	535466001	FLYGEL VÅ.		1
506 55 97-01	506559701	BRICKA		4
535 46 61-01	535466101	MATTA		1
506 96 93-01	506969301	MOTORKÅPA		1
734 11 37-41	734113741	BRICKA		3
506 91 34-01	506913401	AIR GRIND		1
535 43 39-01	535433901	KÅPA		1
506 96 36-01	506963601	BRICKA		1
506 96 35-01	506963501	VRIDTAPP		1

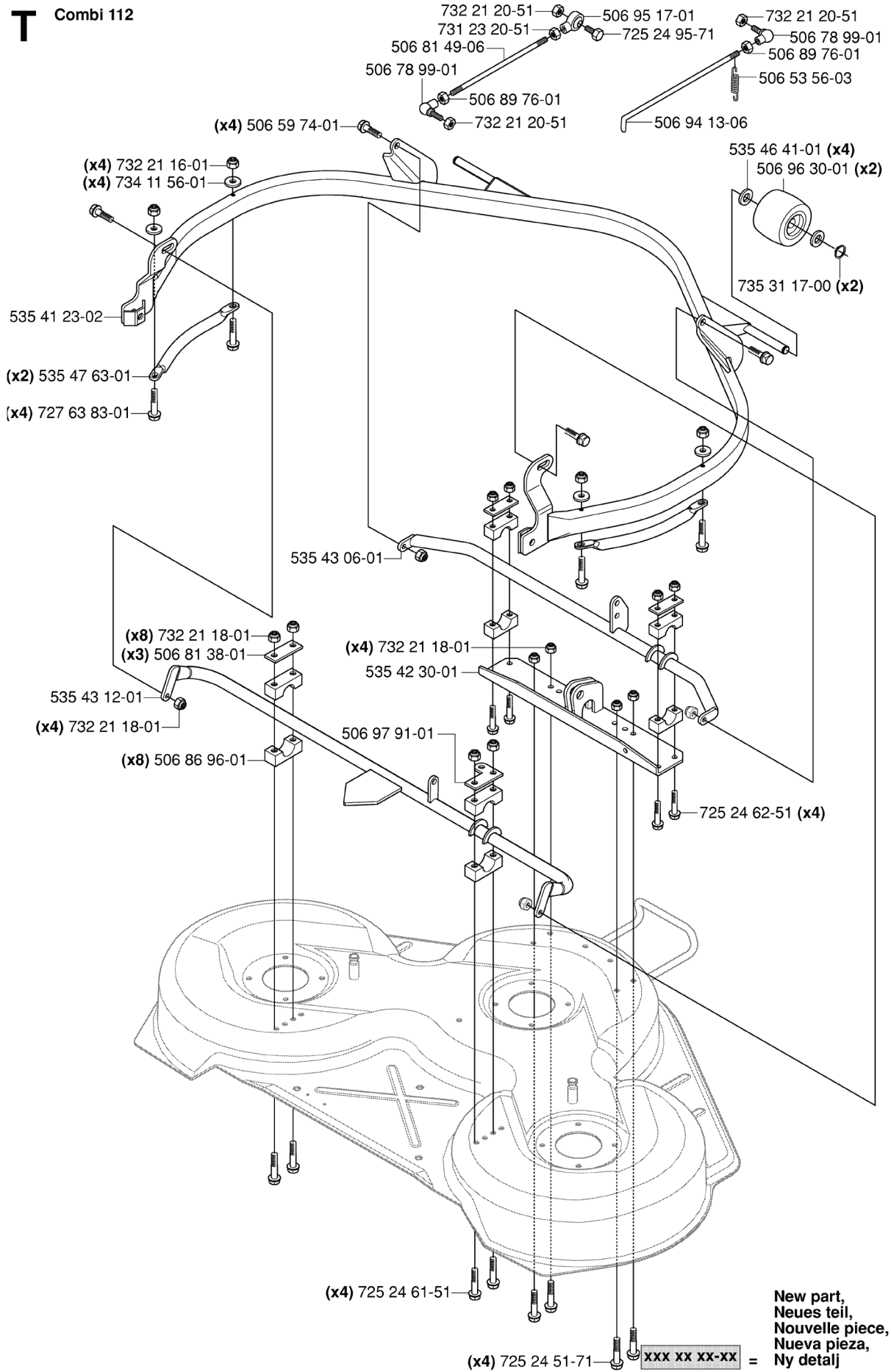
J

*compl 544 12 60-01



REF.	ART. NR	ARTIKELBESKRIVNING	ANMÄRKNING	KIT
544 12 60-01	544126001	PEDALPLATTA KPL		1
535 48 10-01	535481001	FÖRSTÄRKNINGSPLATTA		3
535 47 88-02	535478802	PEDALGUMMI		1
506 57 01-04	506570104	SKRUV EHHFM		4
506 99 27-01	506992701	BROMSWIRE		1
506 53 56-03	506535603	DRAGFJÄDER		1
506 54 66-02	506546602	GASVAJER KPL		1
506 50 82-01	506508201	KLÄMMA		1
737 38 11-00	737381100	FJÄDERBRICKA		1
731 23 14-01	731231401	MUTTER (HEXAGON)		1
506 82 72-02	506827202	REGLAGEKABEL		1
734 48 80-01	734488001	BRICKA		1
725 23 31-51	725233151	SCREW		1
506 54 64-01	506546401	BUSHING		1
506 54 63-01	506546301	LEVER THROTTLE CONTR		1
506 56 25-01	506562501	HANDTAG		1
506 55 73-01	506557301	VINKELLAS8 DIN71802		1
735 31 09-20	735310920	SPÄRRYTTARE		1
506 94 63-01	506946301	BROMSFJÄDER		1
535 47 88-01	535478801	PEDALGUMMI		1
535 47 37-01	535473701	KNOPP		1
535 48 09-01	535480901	LAGERSTÖD		5
738 21 02-04	738210204	KULLAGER		1
535 48 08-01	535480801	LAGERSTÖD		4
535 48 02-01	535480201	RULLE		1
732 21 14-01	732211401	LOCK NUT		1
535 48 06-01	535480601	SKYDDSPÅLÅT		1
535 48 07-01	535480701	FJÄDER		1

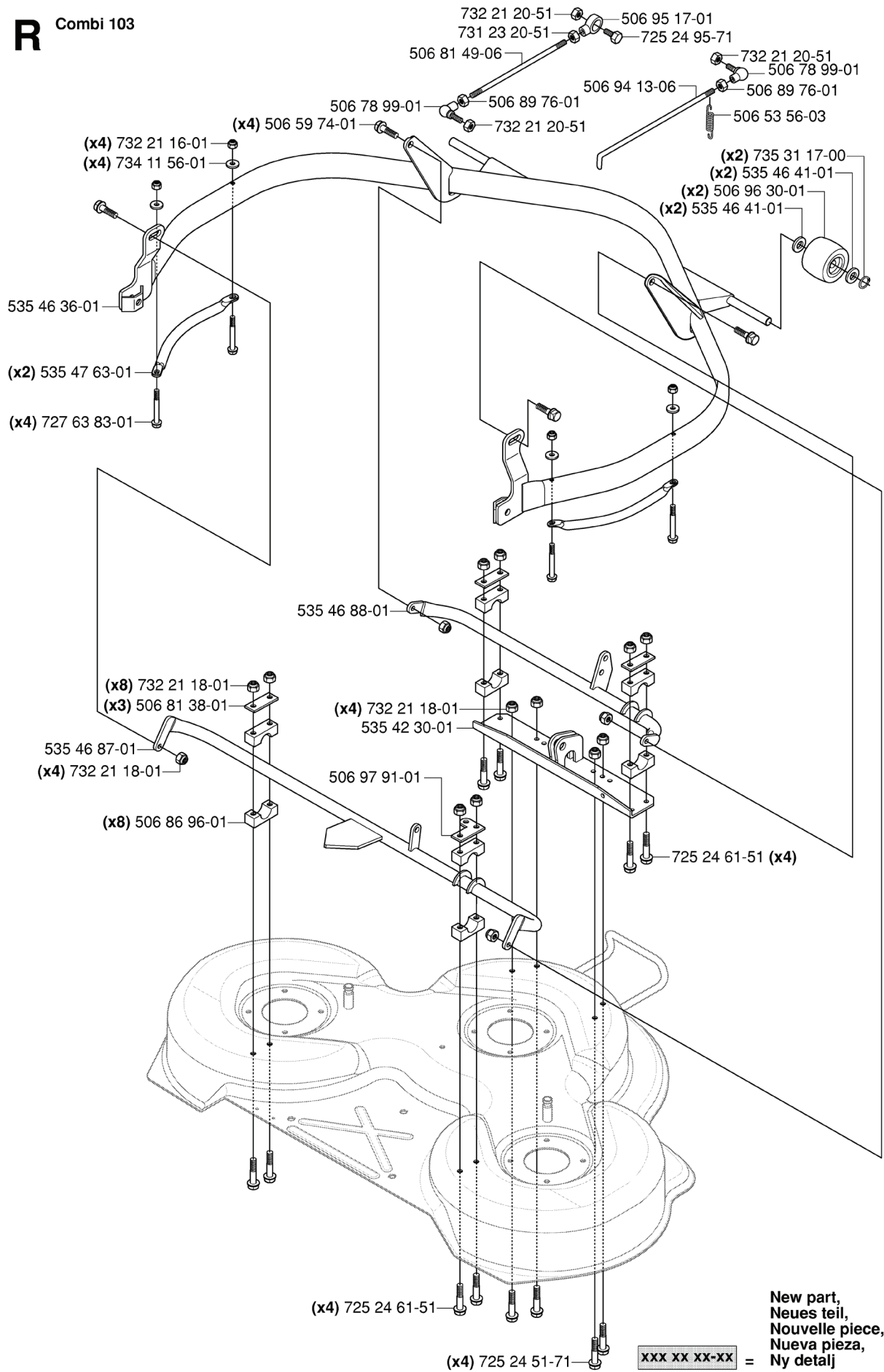
T Combi 112



New part,
 Neues teil,
 Nouvelle piece,
 Nueva pieza,
 Ny detalj

REF.	ART. NR	ARTIKELBESKRIVNING	ANMÄRKNING	KIT
731 23 20-51	731232051	MUTTER (HEXAGON)		1
506 81 49-06	506814906	STÅNG		1
506 59 74-01	506597401	SKRUV EHHFM		4
732 21 16-01	732211601	LOCK NUT		4
734 11 56-01	734115601	BRICKA		4
535 46 36-01	535463601	SKYDDSBÅGE		1
535 47 63-01	535476301	SIDE RAIL		2
727 63 83-01	727638301	SKRUV RSQM		4
535 46 88-01	535468801	FRÄMRE TVÄRRÖR KPL.		1
732 21 18-01	732211801	LOCK NUT		8
506 81 38-01	506813801	REINFORCING PLATE		3
535 46 87-01	535468701	REAR CROSS TUBES ASS		1
506 86 96-01	506869601	LAGER		8
725 24 51-71	725245171	SKRUV EHHM		4
725 24 61-51	725246151	SKRUV EHHM		4
506 97 91-01	506979101	SERVICEBRICKA		1
535 42 30-01	535423001	FÄSTE		1
535 46 41-01	535464101	BRICKA		2
506 96 30-01	506963001	HJUL KPL		2
735 31 17-00	735311700	SPÄRRING		2
506 53 56-03	506535603	DRAGFJÄDER		1
506 89 76-01	506897601	MUTTER		1
506 78 99-01	506789901	VINKELLÄNK DIN 7 1802		1
732 21 20-51	732212051	MUTTER		1
506 94 13-06	506941306	KOPPLINGSSTÅNG		1
725 24 95-71	725249571	SKRUV EHHM		1
506 95 17-01	506951701	LÄNKHUVUD		1

R Combi 103

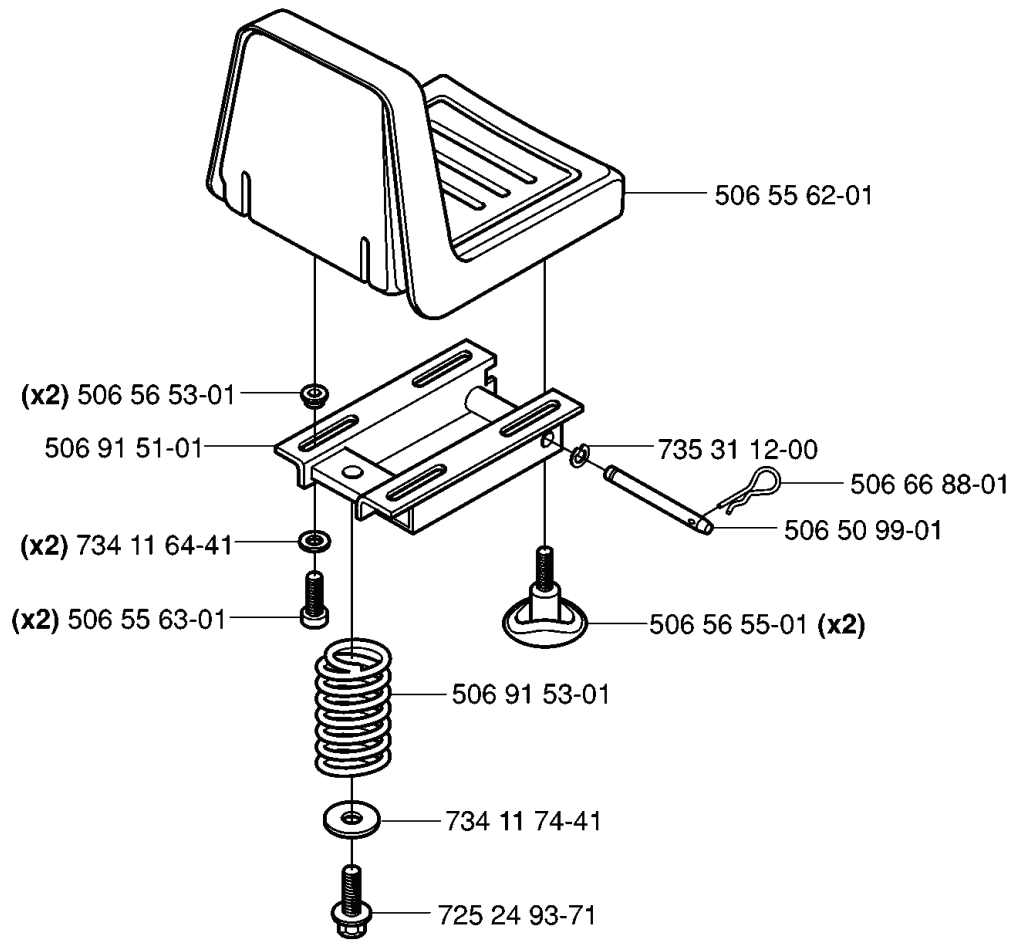


New part,
 Neues teil,
 Nouvelle piece,
 Nueva pieza,
 Ny detalj

XXX XX XX-XX =

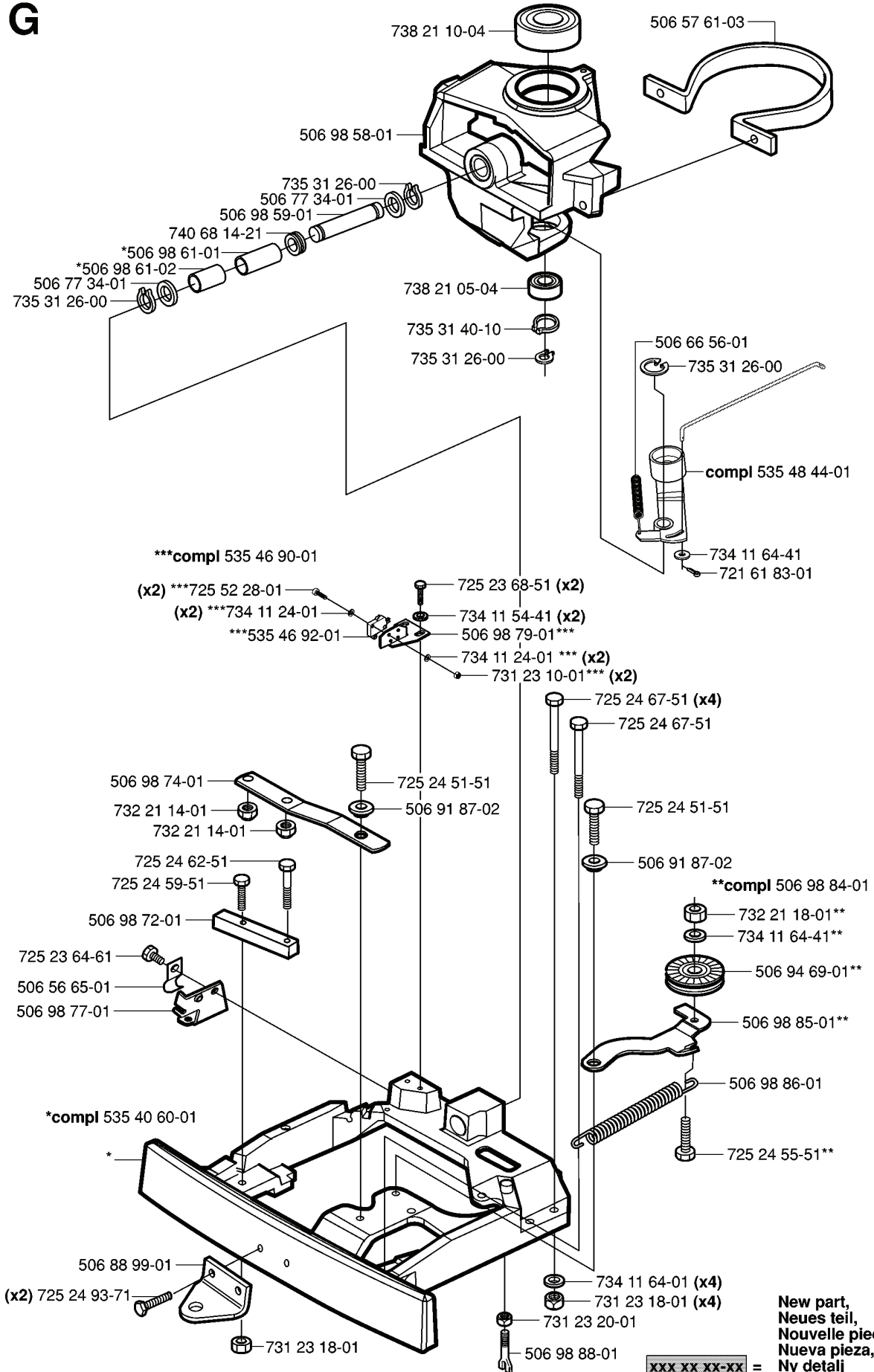
REF.	ART. NR	ARTIKELBESKRIVNING	ANMÄRKNING	KIT
731 23 20-51	731232051	MUTTER (HEXAGON)		1
506 81 49-06	506814906	STÅNG		1
506 89 76-01	506897601	MUTTER		1
506 59 74-01	506597401	SKRUV EHHFM		4
732 21 16-01	732211601	LOCK NUT		4
734 11 56-01	734115601	BRICKA		4
535 41 23-02	535412302	SKYDDSBÅGE		1
535 47 63-01	535476301	SIDE RAIL		2
727 63 83-01	727638301	SKRUV RSQM		4
535 43 06-01	535430601	FRONT CROSS TUBE ASS		1
732 21 18-01	732211801	LOCK NUT		8
506 81 38-01	506813801	REINFORCING PLATE		3
535 43 12-01	535431201	REAR CROSS TUBES ASS		1
506 86 96-01	506869601	LAGER		8
725 24 61-51	725246151	SKRUV EHHM		4
725 24 51-71	725245171	SKRUV EHHM		4
725 24 62-51	725246251	SKRUV EHHM		4
506 97 91-01	506979101	SERVICEBRICKA		1
535 42 30-01	535423001	FÄSTE		1
735 31 17-00	735311700	SPÄRRING		2
506 96 30-01	506963001	HJUL KPL		2
535 46 41-01	535464101	BRICKA		4
506 94 13-06	506941306	KOPPLINGSSTÅNG		1
506 53 56-03	506535603	DRAGFJÄDER		1
506 78 99-01	506789901	VINKELLÄNK DIN 71802		1
732 21 20-51	732212051	MUTTER		1
725 24 95-71	725249571	SKRUV EHHM		1
506 95 17-01	506951701	LÄNKHUVUD		1

A



REF.	ART. NR	ARTIKELBESKRIVNING	ANMÄRKNING	KIT
506 56 53-01	506565301	BUSHING		2
506 91 51-01	506915101	SÄTESFÄSTE KPL		1
734 11 64-41	734116441	BRICKA		2
506 55 63-01	506556301	SCREW UNC		2
725 24 93-71	725249371	SKRUV EHHM		1
734 11 74-41	734117441	BRICKA		1
506 91 53-01	506915301	TRYCKFJÄDER		1
506 56 55-01	506565501	JUSTERVRED		2
506 50 99-01	506509901	AXEL		1
506 66 88-01	506668801	SPRING COTTER		1
735 31 12-00	735311200	SPÄRRING		1
506 55 62-01	506556201	SÄTE		1

G



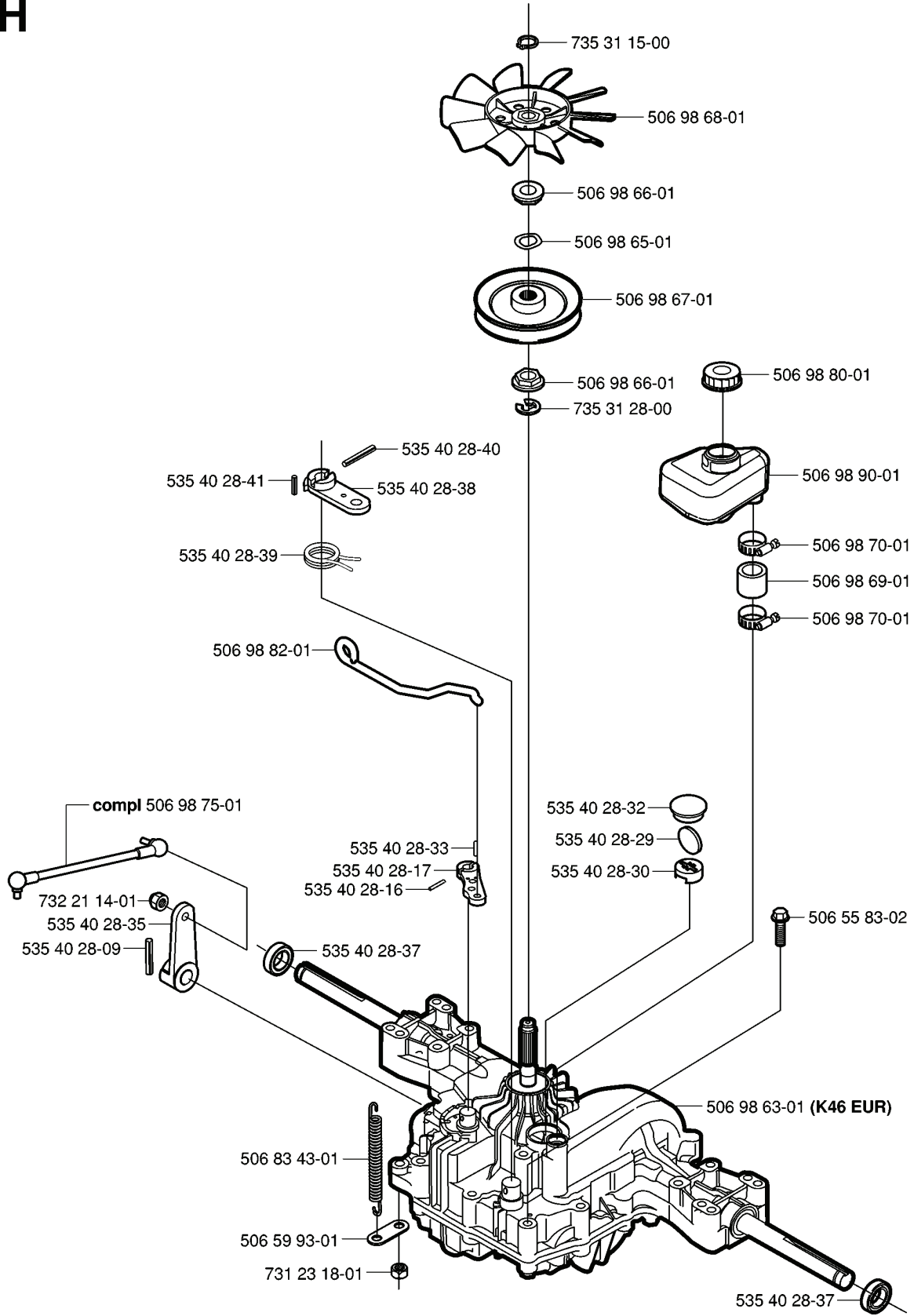
New part,
Neues teil,
Nouvelle piece,
Nueva pieza,
Ny detalj

xxx xx xx-xx =

REF.	ART. NR	ARTIKELBESKRIVNING	ANMÄRKNING	KIT
738 21 10-04	738211004	KULLAGER		1
506 98 58-01	506985801	SPINDEL		1
735 31 26-00	735312600	SPÅRRING		1
506 77 34-01	506773401	BRICKA		1
506 98 59-01	506985901	PENDELAXEL		1
740 68 14-21	740681421	V-RING		1
506 98 61-01	506986101	GLIDLAGER		1
506 98 61-02	506986102	GLIDLAGER		1
535 46 90-01	535469001	BRYTARE		1
725 52 28-01	725522801	SKRUV IHSCM		2
734 11 24-01	734112401	BRICKA		2
535 46 92-01	535469201	BRYTARE		1
506 98 74-01	506987401	HÄVARM		1
732 21 14-01	732211401	LOCK NUT		1
725 24 62-51	725246251	SKRUV EHHM		1
725 24 59-51	725245951	SKRUV EHHM		1
506 98 72-01	506987201	MOMENTFÄSTE		1
725 23 64-61	725236461	SKRUV EHHFT		1
506 56 65-01	506566501	KLÄMMA		1
506 98 77-01	506987701	FÄSTE		1
535 40 60-01	535406001	FÄSTE		1
506 88 99-01	506889901	HAKE		1
725 24 93-71	725249371	SKRUV EHHM		2
506 98 88-01	506988801	PENDULUM		1
731 23 20-01	731232001	MUTTER (HEXAGON)		1
731 23 18-01	731231801	MUTTER (HEXAGON)		4
734 11 64-01	734116401	BRICKA		4
725 24 55-51	725245551	SCREW		1
506 98 86-01	506988601	FJÄDER		1
506 98 85-01	506988501	REMSPÄNNARE		1
506 94 69-01	506946901	REMSKIVA		1
734 11 64-41	734116441	BRICKA		1
732 21 18-01	732211801	LOCK NUT		1
506 98 84-01	506988401	REMSPÄNNARE KPL		1
725 24 51-51	725245151	SCREW		1
506 91 87-02	506918702	BRICKA		1
725 24 67-51	725246751	SKRUV EHHM		1
731 23 10-01	731231001	MUTTER (HEXAGON)		2
506 98 79-01	506987901	FÄSTE		1
734 11 54-41	734115441	BRICKA		2
725 23 68-51	725236851	SCREW		2

REF.	ART. NR	ARTIKELBESKRIVNING	ANMÄRKNING	KIT
721 61 83-01	721618301	SPLIT PIN		1
535 48 44-01	535484401	REMSPÄNNARE KPL		1
506 66 56-01	506665601	FJÄDER		1
735 31 40-10	735314010	SPÄRRING		1
738 21 05-04	738210504	KULLAGER		1
506 57 61-03	506576103	STYRKRANS		1

H

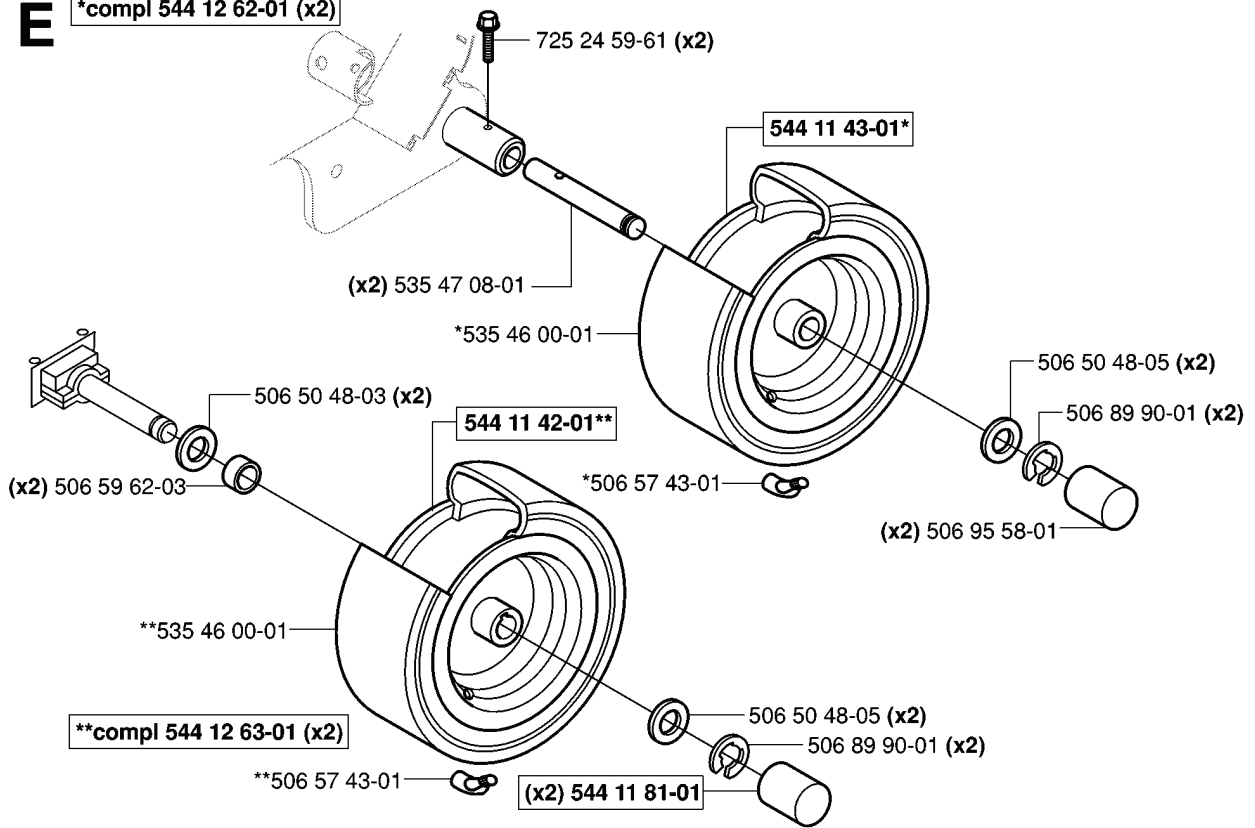


xxx xx xx-xx = New part,
Neues teil,
Nouvelle piece,
Nueva pieza,
Ny detalj

REF.	ART. NR	ARTIKELBESKRIVNING	ANMÄRKNING	KIT
535 40 28-40	535402840	PIN RETAINING SCREW		1
535 40 28-38	535402838	HÄVARM		1
535 40 28-41	535402841	TAPP		1
535 40 28-39	535402839	FJÄDER		1
506 98 82-01	506988201	FRIKOPPLINGSSTÅNG		1
506 98 75-01	506987501	JUSTERSTÅNG		1
732 21 14-01	732211401	LOCK NUT		1
535 40 28-35	535402835	HÄVARM		1
535 40 28-09	535402809	PIN RETAINING SCREW		1
535 40 28-33	535402833	PIN RETAINING SCREW		1
535 40 28-17	535402817	HÄVARM		1
535 40 28-16	535402816	PIN RETAINING SCREW		1
535 40 28-37	535402837	TÄTNING		1
506 83 43-01	506834301	FJÄDER		1
506 59 93-01	506599301	LÄNK		1
731 23 18-01	731231801	MUTTER (HEXAGON)		1
506 98 63-01	506986301	TRANSMISSION	K46 EUR	1
506 55 83-02	506558302	SKRUV EHHFT		1
535 40 28-30	535402830	HÅLLARE		1
535 40 28-29	535402829	MAGNET		1
535 40 28-32	535402832	PLUGG		1
506 98 69-01	506986901	SLANG		1
506 98 70-01	506987001	SLANGKLÄMMA		1
506 98 90-01	506989001	EXPANSIONSTANK		1
506 98 80-01	506988001	TANKLOCK KPL		1
735 31 28-00	735312800	SPÄRRING		1
506 98 66-01	506986601	DISTANS		1
506 98 67-01	506986701	REMSKIVA		1
506 98 65-01	506986501	FJÄDERBRICKA		1
506 98 68-01	506986801	FLÄKT		1
735 31 15-00	735311500	SPÄRRING		1

E

***compl 544 12 62-01 (x2)**



REF.	ART. NR	ARTIKELBESKRIVNING	ANMÄRKNING	KIT
544 12 62-01	544126201	HJUL		2
535 47 08-01	535470801	HJULAXEL		2
506 50 48-03	506504803	BRICKA		2
506 59 62-03	506596203	DISTANSHYLSA		2
535 46 00-01	535460001	DÄCK		1
544 12 63-01	544126301	HJUL		2
544 11 81-01	544118101	KNOPP		2
506 57 43-01	506574301	VENTIL KPL		1
544 11 42-01	544114201	FÄLG		1
506 95 58-01	506955801	KOPP		2
506 89 90-01	506899001	SPÄRRYTTARE		2
506 50 48-05	506504805	BRICKA		2
544 11 43-01	544114301	FÄLG		1
725 24 59-61	725245961	SKRUV EHHFT		2