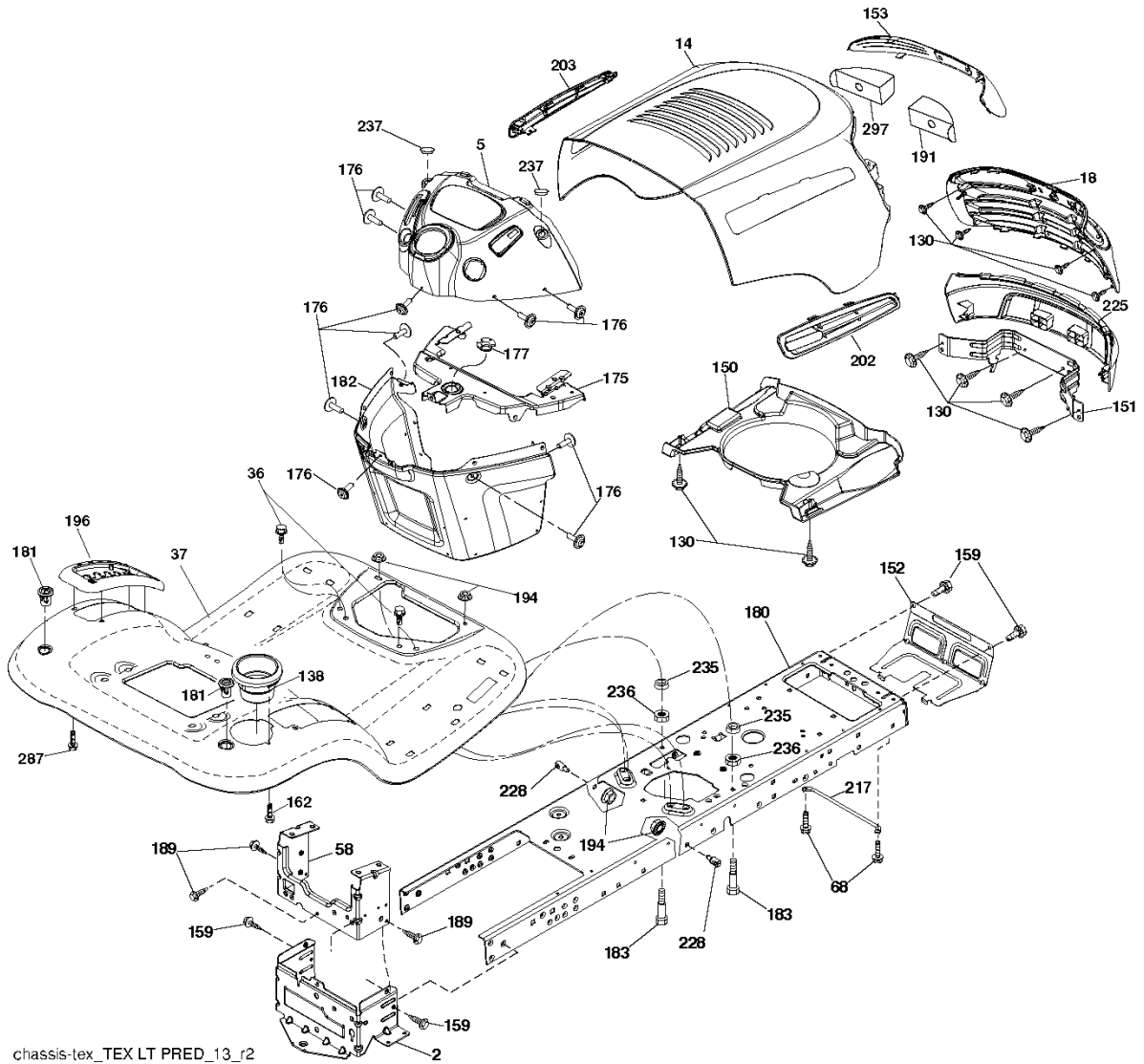


RESERVDELSKATALOG

: JONSERED

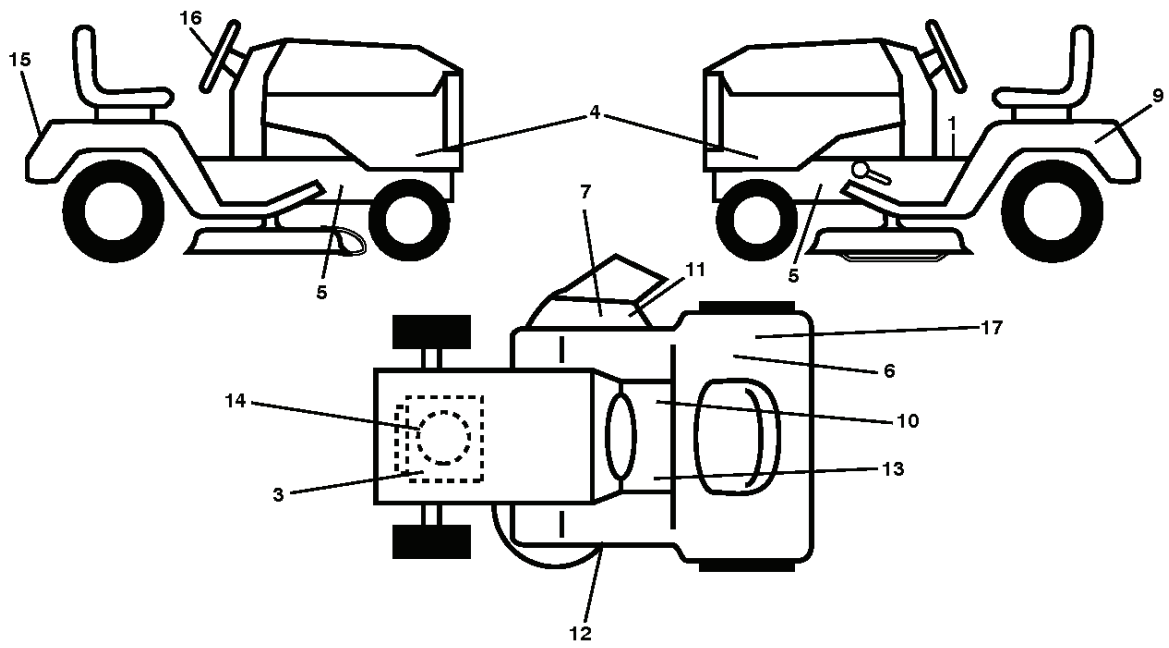
Reservdelslista

RESERVDELSLISTA

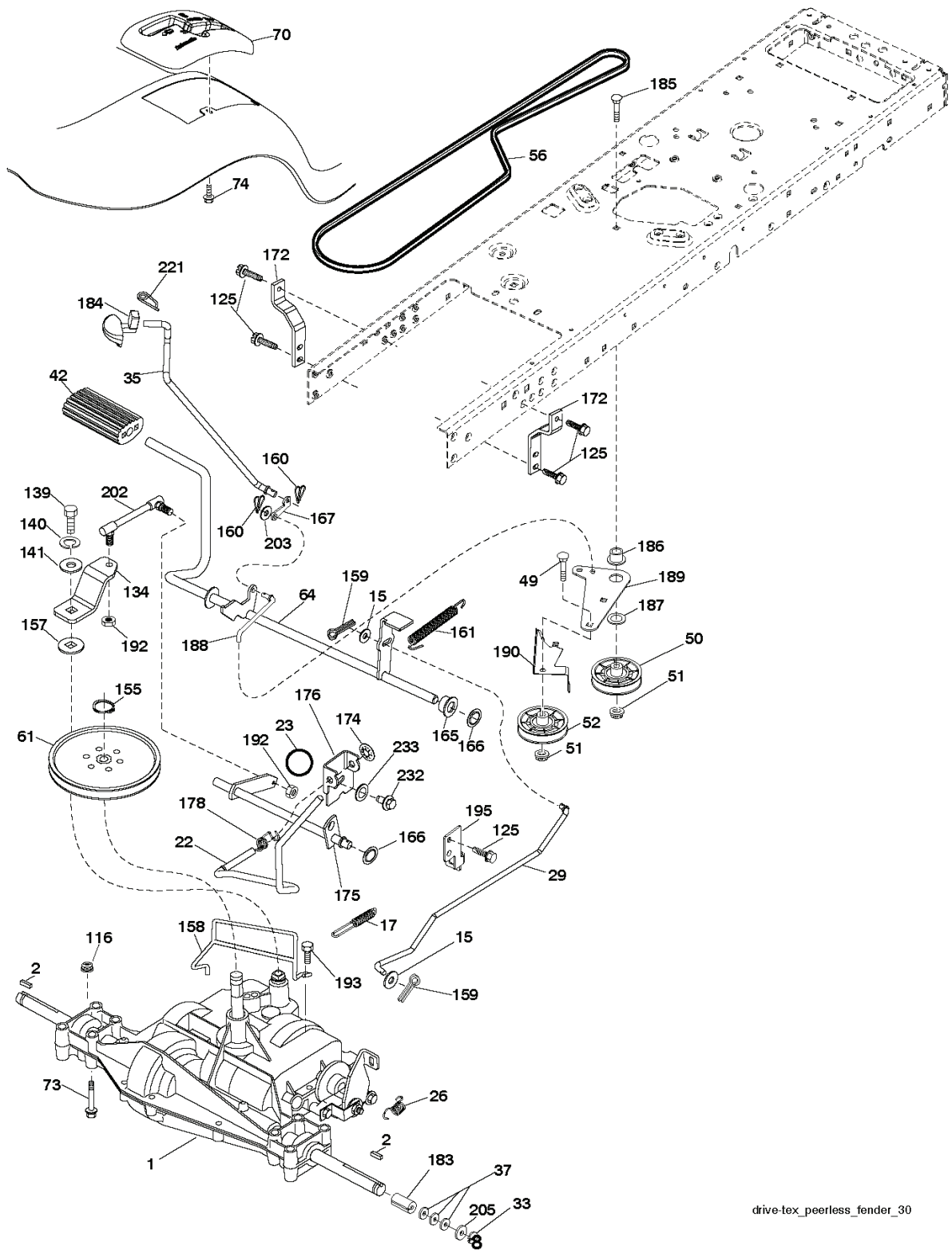


chassis-tex_TEX LT PRED_13_r2

REF.	ART. NR	ARTIKELBESKRIVNING	ANMÄRKNING	KIT
2	532412282	PLATTA		1
5	532425772	PANEL		1
14	532424332	HUV		1
18	532426511	GRILLE		1
36	817060512	SCREW		1
37	532424739	STÄNKSKÄRM		1
58	532412280	PLATTA		1
68	817490508	SCREW		1
130	532416358	SCREW		1
138	532409730	KONSOL		1
150	532400267	LUFTLEDARE		1
151	532187568	FÄSTE		1
152	532194329	SKÄRM		1
153	532409740	LINS		1
159	817000612	SCREW		1
162	532142432	SCREW		1
175	532199472	PLATTA		1
176	532400776	SCREW		1
177	532195228	BUSHING		1
180	532194260	CHASSI		1
181	532404796	BUSHING		1
182	532407176	PANEL		1
183	874780520	BULT		1
189	817000512	SCREW		1
191	532416502	INSATS		1
194	873900500	MUTTER		1
196	532414579	KONSOL		1
202	532423317	LUFTKANAL		1
203	532423316	LUFTKANAL		1
217	532409167	STÅNG		1
225	532423228	STÖTFÅNGARE		1
228	532195161	STUD		1
235	532406129	DISTANSBRICKA		1
236	873930500	MUTTER		1
237	532403704	PLUGG		1
287	817600406	SCREW		1
297	532401827	LINS		1



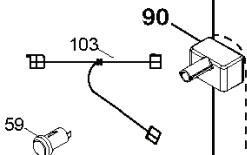
REF.	ART. NR	ARTIKELBESKRIVNING	ANMÄRKNING	KIT
1	532400389	DEKAL		1
3	532196841	DEKAL		1
4	532424075	DEKAL		1
5	532159736	DEKAL		1
6	532124433	DEKAL		1
7	532182166	DEKAL		1
9	532145005	DEKAL		1
10	532140837	DEKAL		1
11	532196357	DECALC."DANGER DEFLECTEUR"		1
12	532194302	DECALC.SCHEMA MONTAGE		1
13	532159737	DEKAL		1
14	532409150	DEKAL		1
15	532183930	DEKAL		1
16	532422685	DEKAL		1
17	532168869	DEKAL		1
--	532409505	DYNA	NOT SHOWN	1
--	532411273	DYNA	NOT SHOWN	1
--	532162598	DEKAL	NOT SHOWN	1
--	532411518	OPERATOR'S MANUAL	NOT SHOWN	1



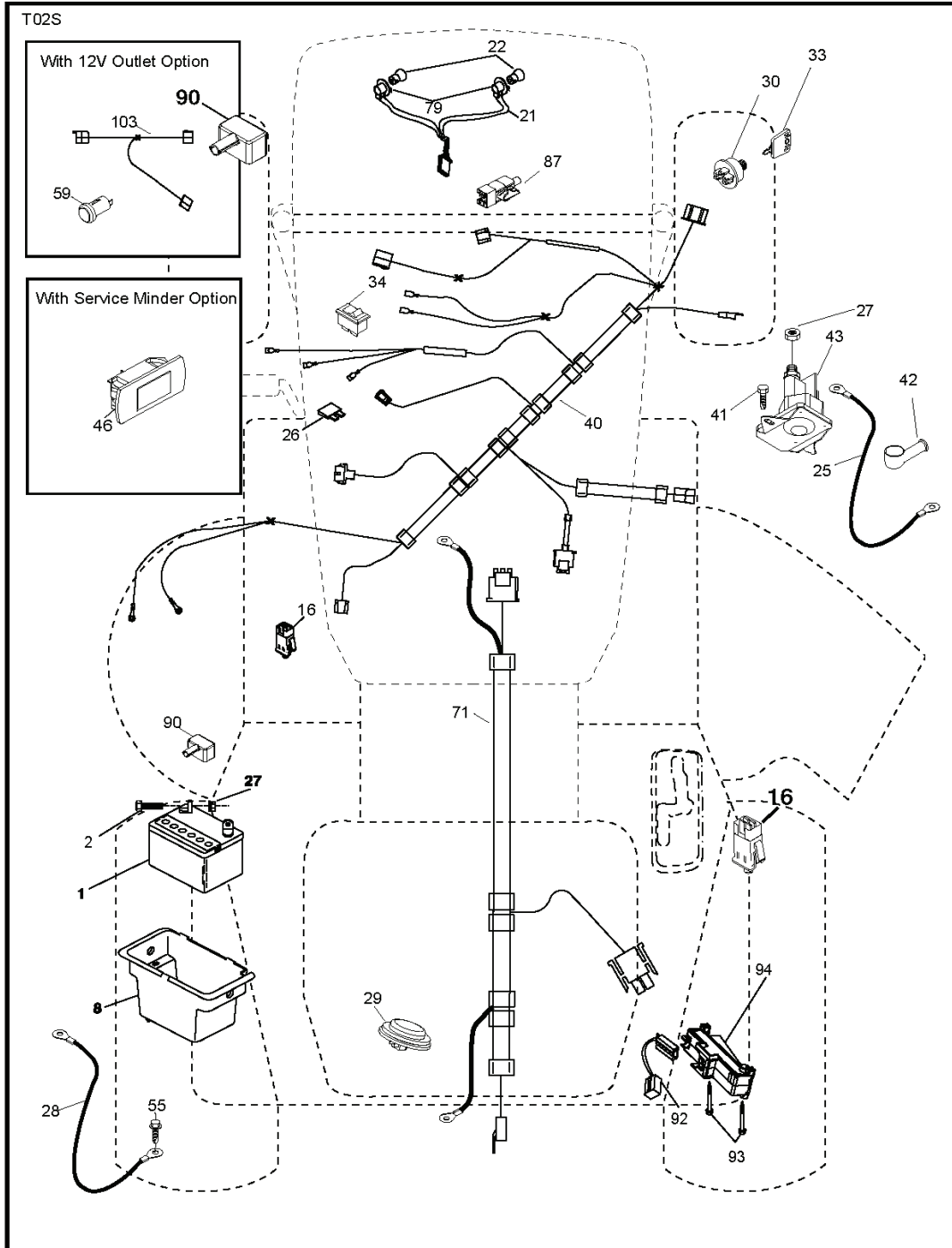
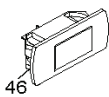
REF.	ART. NR	ARTIKELBESKRIVNING	ANMÄRKNING	KIT
1	000000000	W/O DESCRIPTION	Transaxle, Peerless 206-565	1
2	532123583	TANGENT		1
15	819131316	BRICKA		1
17	532197297	FJÄDER		1
22	532197660	STÅNG		1
23	532121274	KNOPP		1
26	532197455	FJÄDER		1
29	532197267	STÅNG		1
33	812000001	FLÄNSRING		1
35	532401031	STÅNG		1
37	532121749	BRICKA		1
42	532124872	PEDAL RUBBER		1
49	872110614	BULT		1
50	532194327	REMSKIVA		1
51	873900600	MUTTER		1
52	532194326	REMSKIVA		1
56	532194346	REM		1
61	532123666	REMSKIVA		1
64	532196200	AXEL		1
70	532411290	KONSOL		1
73	874490544	SCREW		1
74	532142432	SCREW		1
116	873900500	MUTTER		1
125	817000512	SCREW		1
134	532197857	STÅNG		1
139	874550412	BULT		1
140	810040400	BRICKA		1
141	819091210	BRICKA		1
155	812000028	KLÄMMA		1
157	532105701	BRICKA		1
158	532194352	REMSTYRARE		1
159	876020412	SPLIT PIN		1
160	532169484	TAPP		1
161	532105709	FJÄDER		1
165	532196212	BUSHING		1
166	532197290	MUTTER		1
167	532405257	SPÄRRHAKE		1
172	532197657	SPÄNNBAND		1
174	532197289	MUTTER		1
175	532197858	AXEL		1
176	532196214	ARM		1
178	532197456	FJÄDER		1
183	532137057	DISTANSBRICKA		1
184	532409747	KNOPP		1
185	872110622	BULT		1
186	532194321	DISTANSBRICKA		1
187	819133210	BRICKA		1
188	532194323	LÄNK		1
189	532194317	PLATTA		1
190	532194318	REMSTYRARE		1
192	532150360	MUTTER		1
193	817060512	SCREW		1
195	532197332	FÄSTE		1
202	532197859	LÄNK		1
203	819111116	BRICKA		1
205	532121748	BRICKA		1
221	532403187	FJÄDER		1
232	874780716	BULT		1
233	532405296	BRICKA		1

T02S

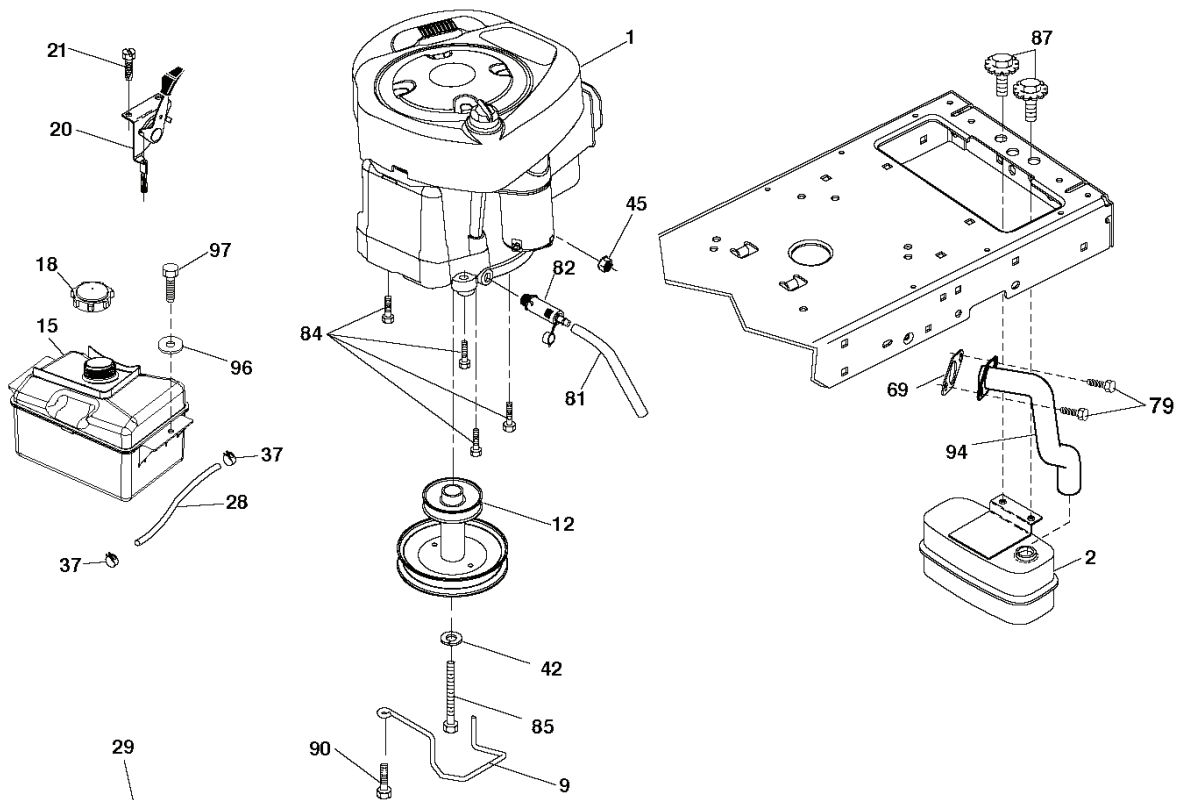
With 12V Outlet Option



With Service Minder Option



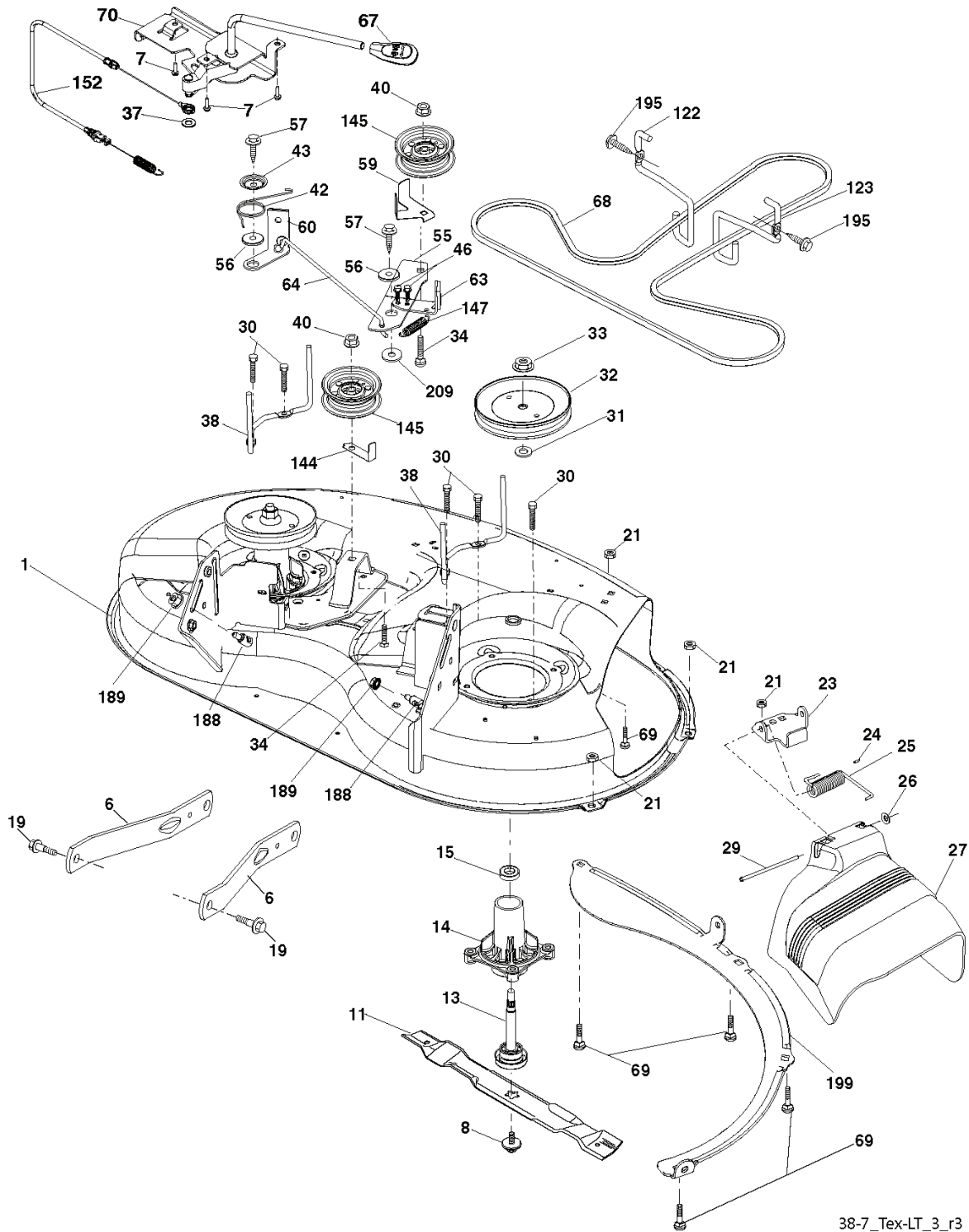
REF.	ART. NR	ARTIKELBESKRIVNING	ANMÄRKNING	KIT
1	532163465	BATTERI		1
2	874760412	BULT		1
8	532193228	LÅDA		1
16	532176138	MIKROBRYTARE		1
21	532400252	SELE		1
22	532004152	GLÖDLAMPA		1
25	532412894	CABLE.STARTER.GGA.BL/R*SUBS/2*		1
26	532175158	SÄKRING		1
27	873510400	MUTTER		1
28	532198885	KABEL		1
29	532401545	BRYTARE		1
30	532193350	TÄNDMODUL		1
33	532411933	TANGENT		1
34	532110712	BRYTARE		1
40	532401098	KABEL		1
41	817720408	SCREW		1
42	532131563	KÅPA		1
43	532192507	SOLENOID		1
55	817060512	SCREW		1
71	532400449	KABEL		1
79	532175242	HÅLLARE		1
87	532197802	BRYTARE		1
90	532400725	KÅPA		1
92	532196615	KABLAGE KPL		1
93	532192540	SCREW		1
94	532191834	MODULE.REVERSE.ROS		1



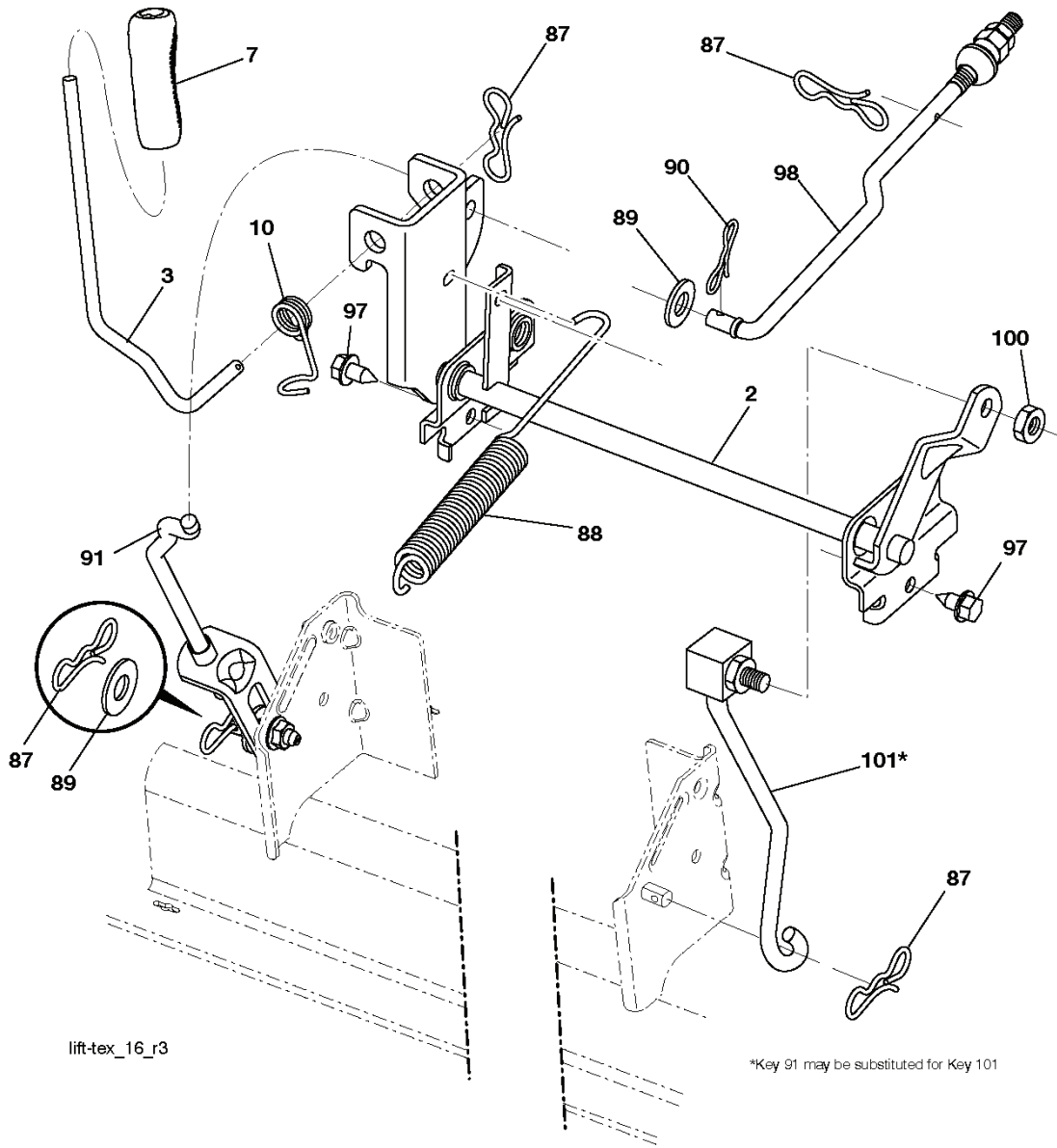
**OPTIONAL EQUIPMENT
SPARK ARRESTER**

engine-tex_BS_13

REF.	ART. NR	ARTIKELBESKRIVNING	ANMÄRKNING	KIT
1	000000000	W/O DESCRIPTION	Engine Briggs Model No. 31E677	1
2	532188655	LJUDDÄMPARE		1
9	532194319	REMSSTYRARE		1
12	532401985	REMSKIVA		1
15	532407545	BRÄNSLETANK		1
18	532197725	PLUGG		1
20	532183897	REGLAGE		1
21	532416358	SCREW		1
28	532137040	SLANG		1
29	532137180	SPARK ARRESTER KIT		1
37	532123487	SLANGKLÄMMA		1
42	810040700	BRICKA		1
45	873510400	MUTTER		1
69	532165291	PACKNING		1
79	532192334	SCREW		1
81	532148456	RÖR		1
82	532181654	PLUGG		1
84	817060620	SCREW		1
85	532173937	BULT		1
87	532171877	BULT		1
90	817000616	SCREW		1
94	532405450	EXHAUST.TUBE.B&S.28/31*SUBS/2*		1
96	819091416	BRICKA		1
97	817670412	SCREW		1



REF.	ART. NR	ARTIKELBESKRIVNING	ANMÄRKNING	KIT
1	532194251	HUS		1
6	532195186	ARM		1
7	532416358	SCREW		1
8	532193003	SCREW		1
11	532193957	RIDE ON BLADE		1
13	532192872	AXEL KPL		1
14	532187281	LAGERHUS		1
15	532110485	LAGER		1
19	532196539	BULT		1
21	873680500	MUTTER		1
23	532192557	GÅNGJÄRN		1
24	532105304	NAVKAPSEL		1
25	532197026	VRIDFJÄDER		1
26	532110452	MUTTER		1
27	532401472	DEFLEKTOR		1
29	532131491	AXEL		1
30	532173984	SCREW		1
31	532187690	BRICKA		1
32	532199789	REMSKIVA		1
33	532400234	MUTTER		1
34	872110612	BULT		1
37	819131316	BRICKA		1
38	532199541	REMSTYRARE		1
40	873900600	MUTTER		1
42	532197256	FJÄDER		1
43	532198410	FJÄDER		1
46	532137729	SCREW		1
55	532197249	ARM		1
56	532199092	DISTANSBRICKA		1
57	817000616	SCREW		1
59	532141043	SKYDD		1
60	532199471	ARM		1
63	532199470	ARM		1
64	532199790	LÄNK		1
67	532409792	HANDTAG		1
68	532408381	REM		1
69	872140505	BULT		1
70	532401246	KOPPLING		1
122	532197258	REMSTYRARE		1
123	532197259	REMSTYRARE		1
144	532193414	REMSTYRARE		1
145	532193197	REMSKIVA		1
147	532401872	FJÄDER		1
152	532408714	KABEL		1
188	532195161	STUD		1
189	873900500	MUTTER		1
195	817000612	SCREW		1
199	532400095	SKYDD		1
209	819133210	BRICKA		1
--	532192870	SPINDEL	NOT SHOWN	1
--	532400422	KLIPPAGGREGAT	NOT SHOWN	1

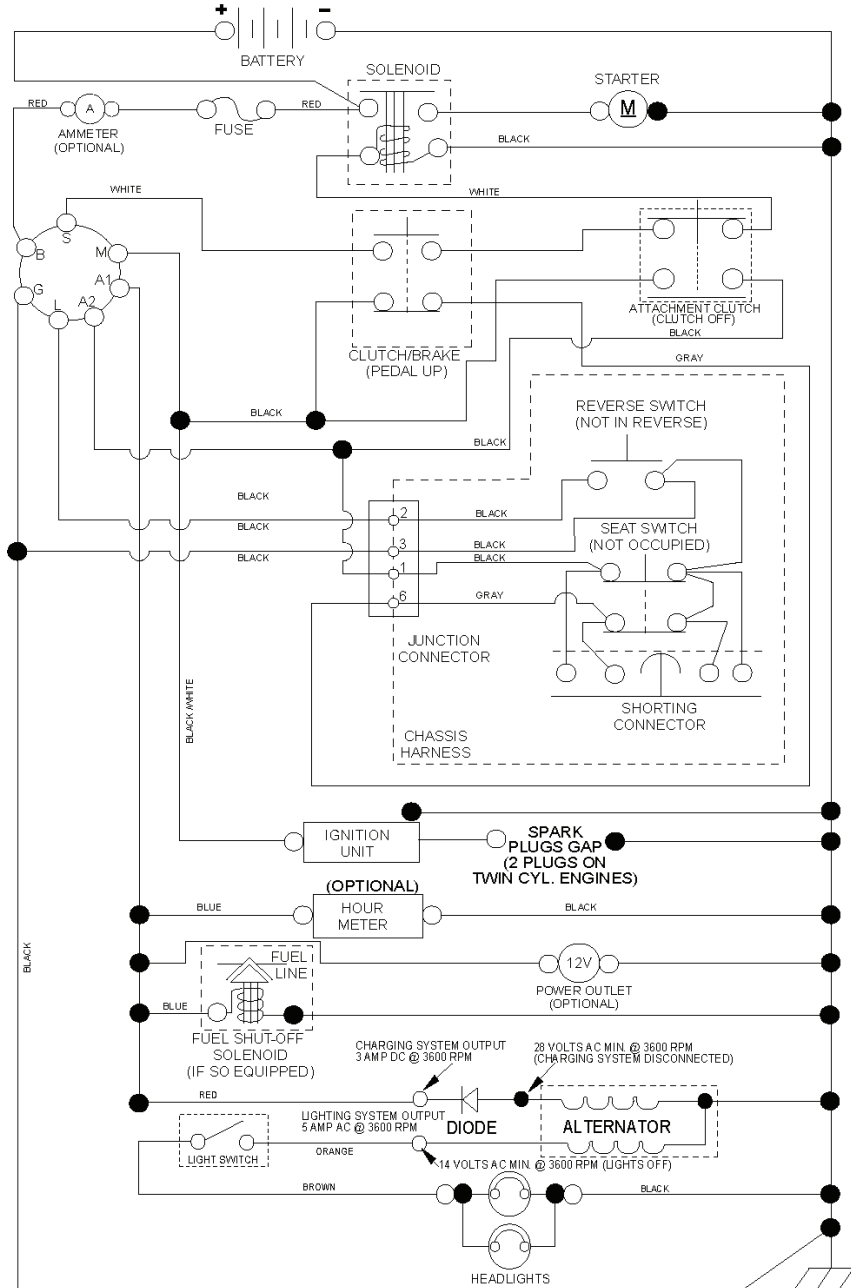


lift-tex_16_r3

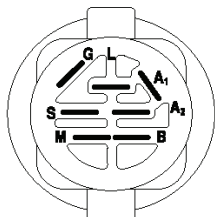
*Key 91 may be substituted for Key 101

REF.	ART. NR	ARTIKELBESKRIVNING	ANMÄRKNING	KIT
2	532195223	AXEL		1
3	532195231	HÄVARM		1
7	532411555	GREPP		1
10	532196314	FJÄDER		1
87	532194209	FJÄDER		1
88	532410710	FJÄDER		1
89	819191912	BRICKA		1
90	532194208	TAPP		1
91	532195181	LÄNK		1
97	817000612	SCREW		1
98	532195270	LÄNK		1
100	873930600	MUTTER		1
101	532407003	LÄNK		1

SCH11

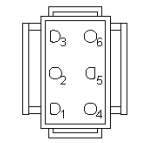


NOTE
 YOUR TRACTOR IS EQUIPPED WITH A SPECIAL ALTERNATOR SYSTEM. THE LIGHTS ARE NOT CONNECTED TO THE BATTERY, BUT HAVE THEIR OWN ELECTRICAL SOURCE. BECAUSE OF THIS, THE BRIGHTNESS OF THE LIGHTS WILL CHANGE WITH ENGINE SPEED. AT IDLE THE LIGHTS WILL DIM. AS THE ENGINE IS SPEEDED UP, THE LIGHTS WILL BECOME THEIR BRIGHTEST.

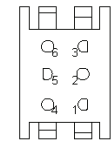


IGNITION SWITCH

POSITION	CIRCUIT	"MAKE"
OFF	M+G+A1	
RUN/OVERRIDE	B+A1	
RUN	B+A1	L+A2
START	B + S + A1	



CHASSIS HARNESS CONNECTOR (MATING SIDE)

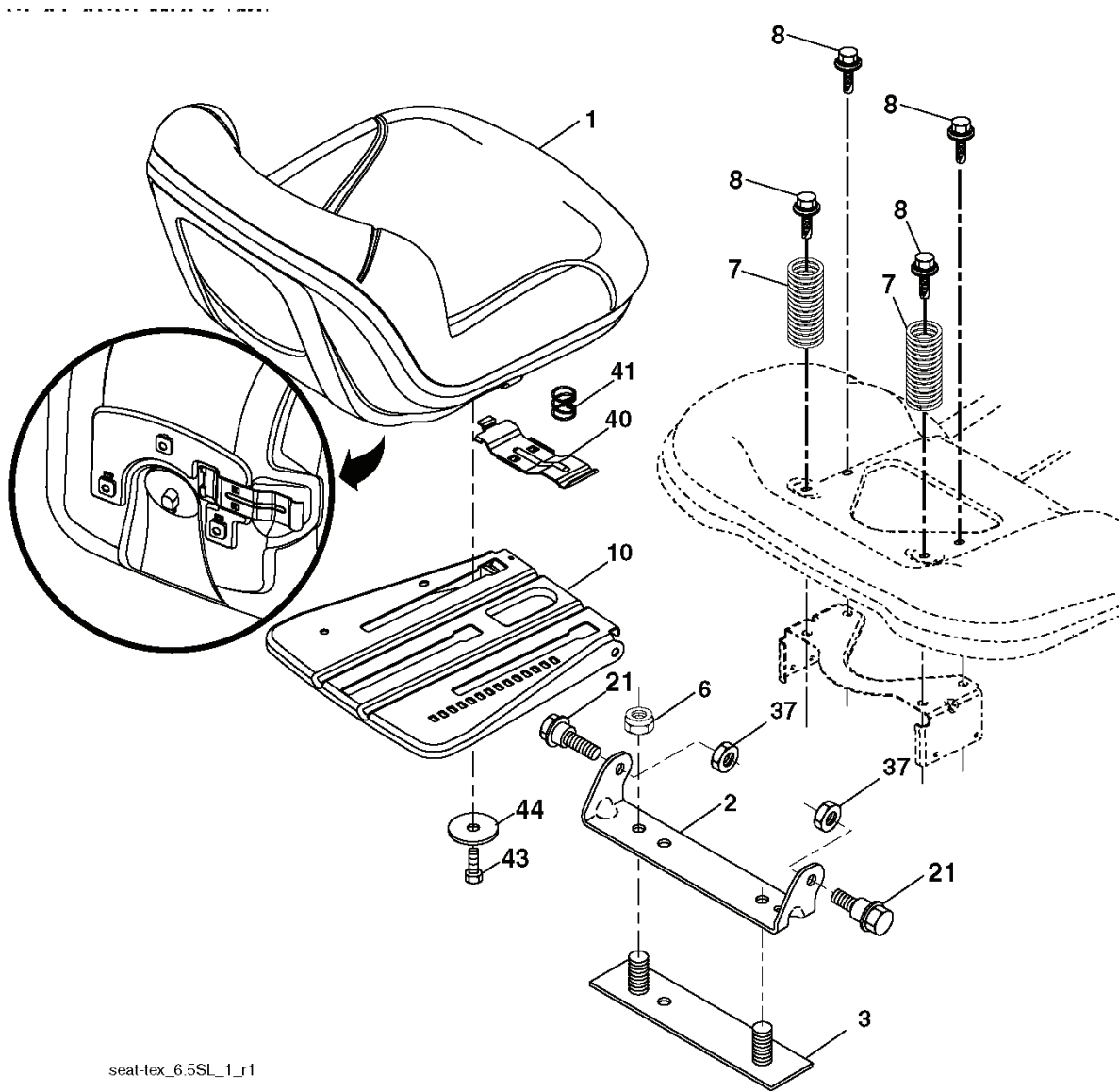


DASH HARNESS CONNECTOR (MATING SIDE)

WIRING INSULATED CLIPS
 NOTE: IF WIRING INSULATED CLIPS WERE REMOVED FOR SERVICING OF UNIT, THEY SHOULD BE RE-INSTALLED TO PROPERLY SECURE YOUR WIRING.

NON-REMOVABLE CONNECTIONS

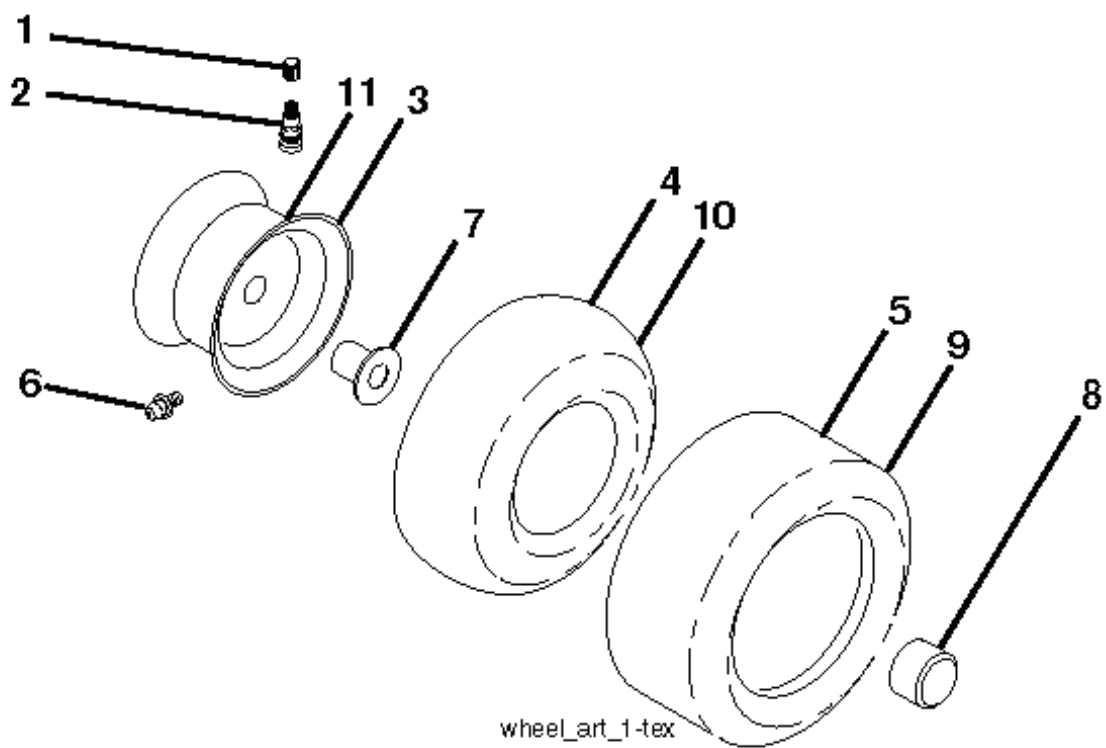
REMOVABLE CONNECTIONS



seat-tex_6.5SL_1_r1

REF.	ART. NR	ARTIKELBESKRIVNING	ANMÄRKNING	KIT
1	532406625	SÅTE		1
2	532180166	FÄSTE		1
3	532140675	SPÄNNBAND		1
6	873800600	MUTTER		1
7	532124181	FJÄDER		1
8	532171877	BULT		1
10	532196977	PLATTA		1
21	532171852	BULT		1
37	873800500	LOCK NUT		1
40	532197661	HANDTAG		1
41	532198200	FJÄDER		1
43	874760612	BULT		1
44	819133812	BRICKA		1

REF.	ART. NR	ARTIKELBESKRIVNING	ANMÄRKNING	KIT
1	532424146	RATT		1
2	532418168	AXEL		1
4	532403087	SPINDEL		1
5	532403088	SPINDEL		1
6	532124931	BRICKA		1
7	532121748	BRICKA		1
8	812000029	FLÄNSRING		1
9	532121232	NAVKAPSEL		1
13	532121749	BRICKA		1
14	810040600	BRICKA		1
15	873540600	MUTTER		1
16	532196074	AXEL		1
19	532194729	PLATTA		1
20	532409763	RATTKOLONN		1
21	532186737	ADAPTER		1
22	532194845	BUSHING		1
26	532424147	NAVKAPSEL		1
28	817000612	SCREW		1
33	810040500	BRICKA		1
35	532194732	PLATTA		1
45	819113812	BRICKA		1
50	873900600	MUTTER		1
53	532188967	BRICKA		1
54	874760636	BULT		1
55	532414736	DISTANSBRICKA		1
57	532407465	FÄSTE		1
58	532194747	BULT		1
59	532194748	BRICKA		1
60	873971000	MUTTER		1
61	532194740	LÄNK		1
62	532194741	LÄNK		1
63	817000512	SCREW		1
64	532199849	FJÄDERFÄSTE		1
65	532194734	FÄSTE		1
66	871020748	BULT		1
67	532194737	BUSHING		1
68	873900700	MUTTER		1
69	532199162	BRICKA		1
70	532196197	FÄSTE		1
71	532196075	AXEL		1
72	874780572	BULT		1
74	532124937	BEARING COL. STRG.		1
78	532057079	BRICKA		1



REF.	ART. NR	ARTIKELBESKRIVNING	ANMÄRKNING	KIT
1	532059192	CAP VALVE		1
2	532065139	NIPPEL		1
3	532138336	FÄLG		1
4	532059904	SLANG		1
5	532106222	DÄCK		1
6	532124957	FITTING		1
7	532124959	LAGER		1
8	532175039	NAVKAPSEL		1
9	532420531	DÄCK		1
10	532124926	SLANG		1
11	532138337	RINGDREV		1
--	532144334	SEALING FOAM	NOT SHOWN	1
	ART. NR		ANMÄRKNING	KIT