

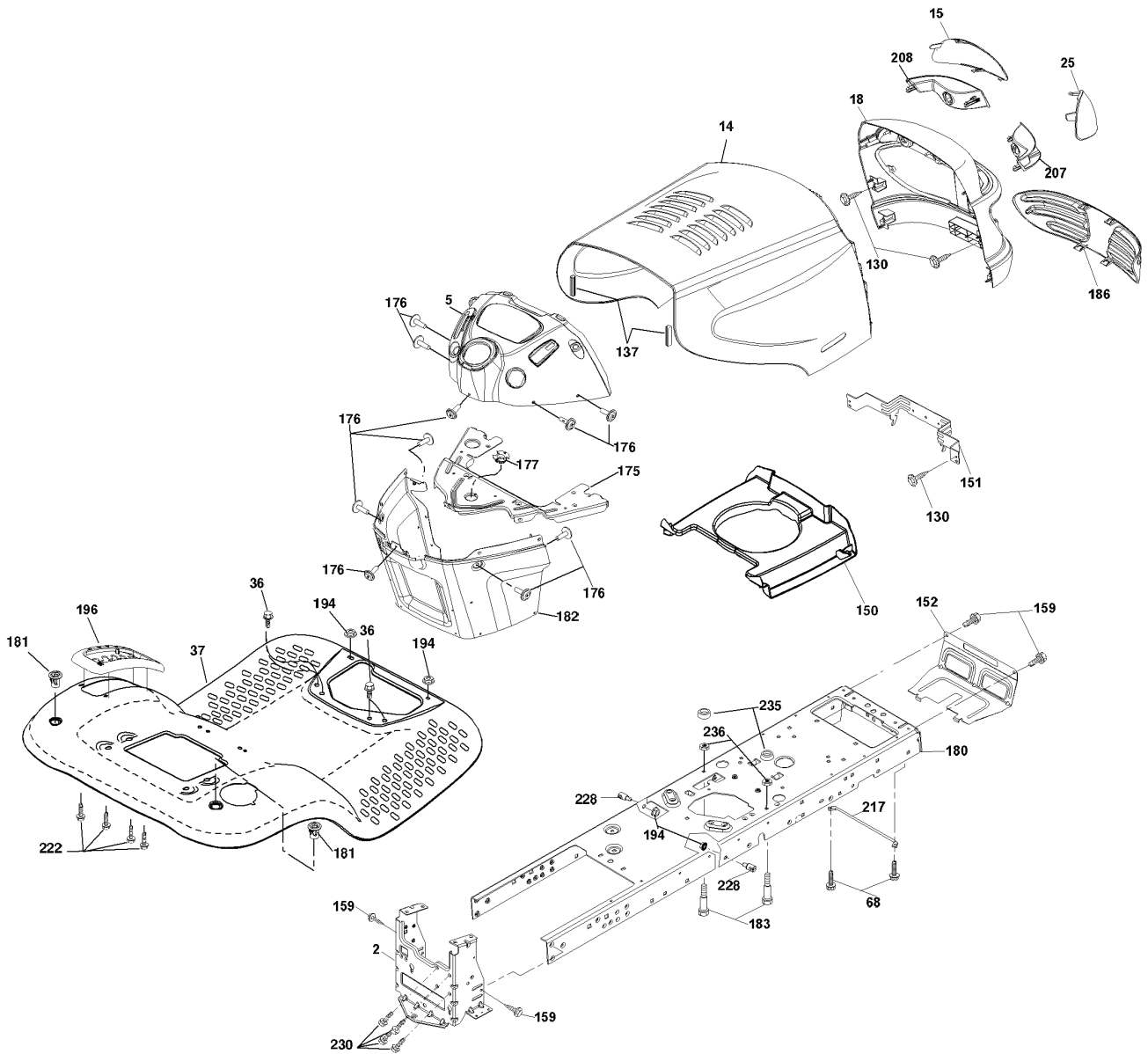
RESERVDELSKATALOG

: JONSERED

Reservdelslista

RESERVDELSLISTA

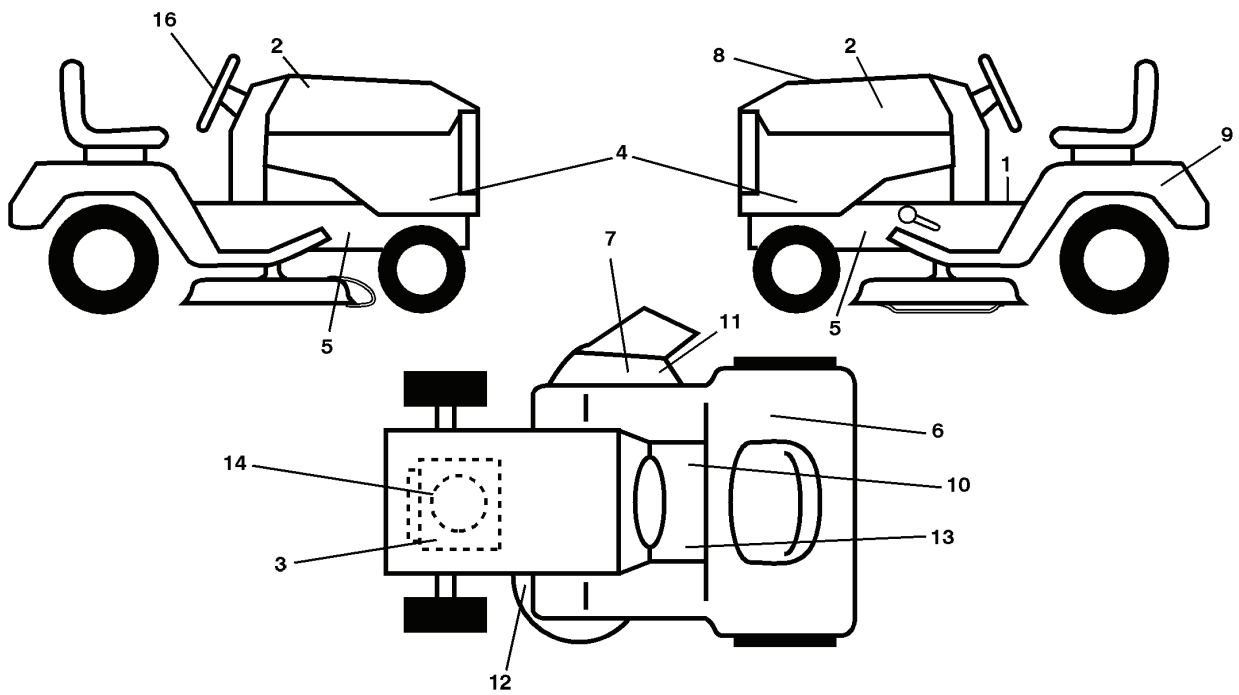
**TRACTOR - - MODEL NUMBER LT2216 (96041003102), PRODUCT NO. 960 41 00-31
CHASSIS**



chassis-tex_27-gt-husq

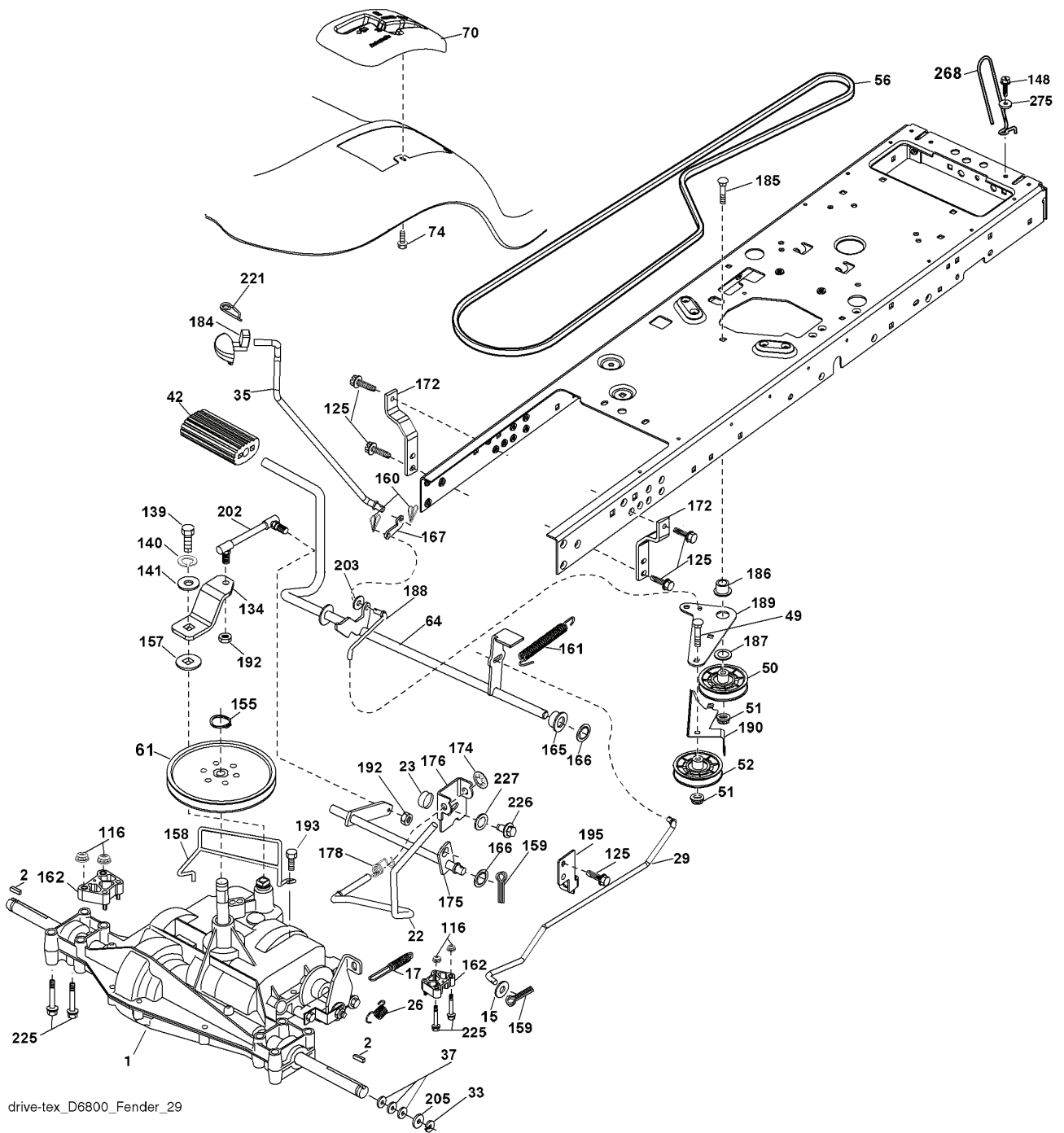
REF.	ART. NR	ARTIKELBESKRIVNING	ANMÄRKNING	KIT
2	532194263	PLATTA		1
5	532411279	PANEL		1
14	532194757	HUV		1
15	532189754	LENS GRILLE LH		1
18	532192915	HUV		1
25	532189755	LENS GRILLE RH		1
36	817060512	SCREW		1
37	532411283	STÄNKSKÄRM		1
68	817490508	SCREW		1
130	532191611	SCREW		1
137	532184921	STÖTFÅNGARE		1
150	532184322	DUCT		1
151	532407807	FÄSTE		1
152	532194329	SKÄRM		1
159	817000612	SCREW		1
175	532193243	PLATTA		1
176	532400776	SCREW		1
177	532195228	BUSHING		1
180	532194260	CHASSI		1
181	532404796	BUSHING		1
182	532193057	PANEL		1
183	874780520	BULT		1
186	532189753	INSERT GRILLE		1
194	873900500	MUTTER		1
196	532409728	DYNA		1
207	532183833	SUPPORT DE PHARE DROIT		1
208	532183832	SUPPORT DE PHARE GAUCHE		1
217	532156524	AXEL		1
222	532137729	SCREW		1
228	532195161	STUD		1
230	532170165	BULT		1
235	532406129	DISTANSBRICKA		1
236	873930500	MUTTER		1

**TRACTOR - - MODEL NUMBER LT2216 (96041003102), PRODUCT NO. 960 41 00-31
DECALS**



REF.	ART. NR	ARTIKELBESKRIVNING	ANMÄRKNING	KIT
1	532400389	DEKAL		1
2	532189553	DEKAL		1
3	532196841	DEKAL		1
4	532408655	DEKAL		1
5	532159736	DEKAL		1
6	532180432	DEKAL		1
7	532182166	DEKAL		1
8	532413002	DEKAL		1
9	532145005	DEKAL		1
10	532140837	DEKAL		1
11	532196357	DECALC."DANGER DEFLECTEUR"		1
12	532194302	DECALC.SCHEMA MONTAGE		1
13	532159737	DEKAL		1
14	532409150	DEKAL		1
16	532185773	DEKAL		1
-	532409505	DYNA		1
-	532411273	DYNA		1
-	532162598	DEKAL		1
-	532408645	OPERATOR'S MANUAL		1
-	532408646	OPERATOR'S MANUAL		1
-	532408647	OPERATOR'S MANUAL		1
-	532408648	OPERATOR'S MANUAL		1

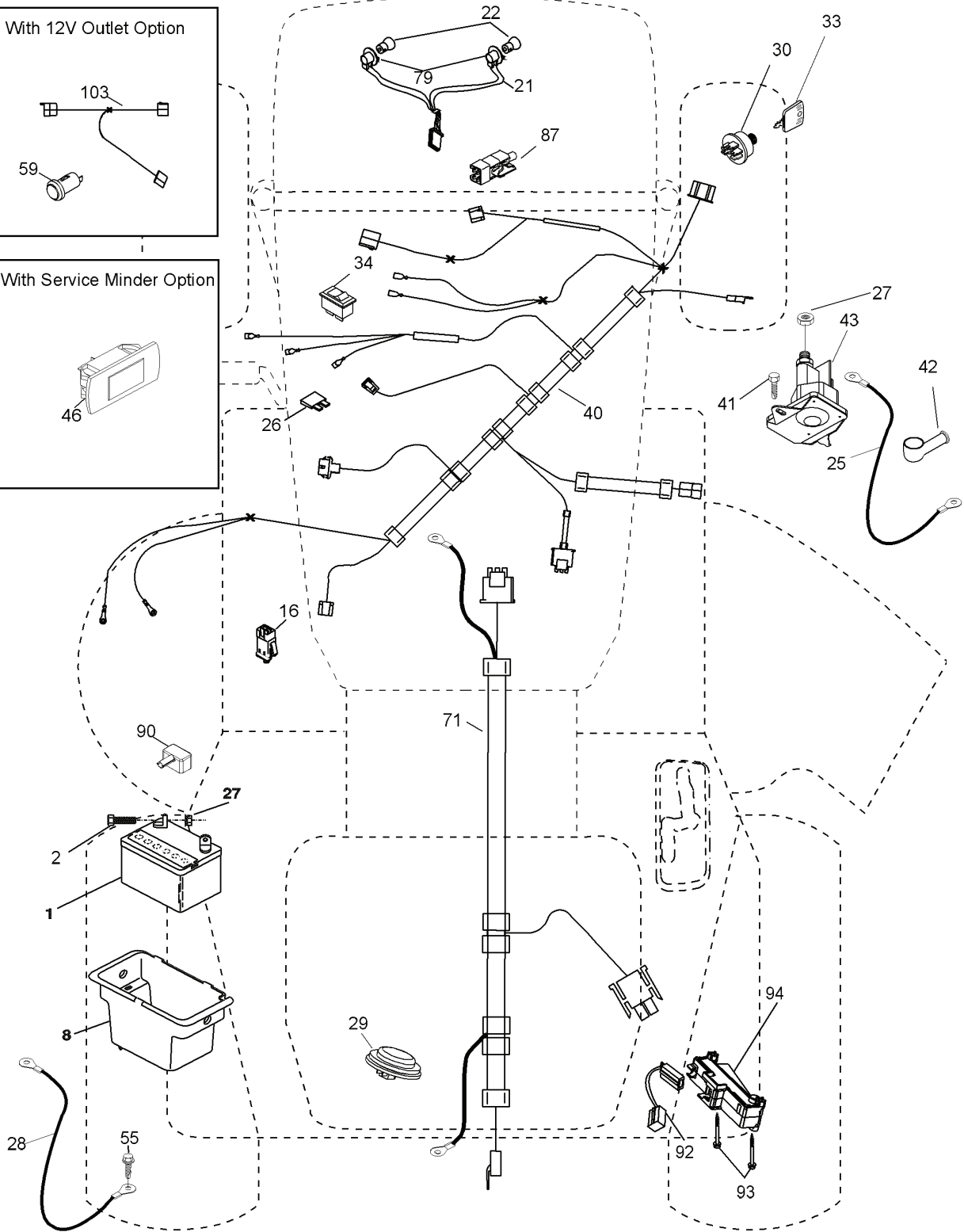
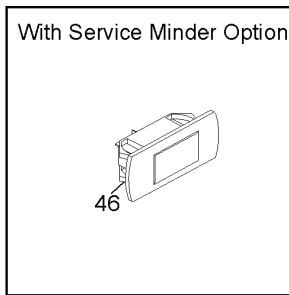
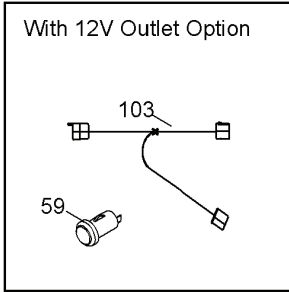
**TRACTOR - - MODEL NUMBER LT2216 (96041003102), PRODUCT NO. 960 41 00-31
DRIVE**



REF.	ART. NR	ARTIKELBESKRIVNING	ANMÄRKNING	KIT
2	532123583	TANGENT		1
15	819131316	BRICKA		1
17	532197297	FJÄDER		1
22	532197660	STÅNG		1
23	532121274	KNOPP		1
26	532197455	FJÄDER		1
29	532197267	STÅNG		1
33	812000001	FLÄNSRING		1
35	532197722	STÅNG		1
37	532121749	BRICKA		1
42	532124872	PEDAL RUBBER		1
49	872110614	BULT		1
50	532194327	REMSKIVA		1
51	873900600	MUTTER		1
52	532194326	REMSKIVA		1
56	532411245	KILREM		1
61	532123666	REMSKIVA		1
64	532196200	AXEL		1
70	532411290	KONSOL		1
74	532142432	SCREW		1
116	873900500	MUTTER		1
125	817000512	SCREW		1
134	532402430	HÅVARM		1
139	874550412	BULT		1
140	810040400	BRICKA		1
141	819091210	BRICKA		1
148	817000612	SCREW		1
155	812000028	KLÄMMA		1
157	532105701	BRICKA		1
158	532194352	REMSTYRARE		1
159	876020412	SPLIT PIN		1
160	532169484	TAPP		1
161	532195403	FJÄDER		1
162	532195785	DISTANSBRICKA		1
165	532196212	BUSHING		1
166	532197290	MUTTER		1
167	532405257	SPÄRRHAKE		1
172	532197657	SPÄNNBAND		1
174	532197289	MUTTER		1
175	532198981	AXEL		1
176	532196214	ARM		1
178	532197456	FJÄDER		1
184	532411289	KNOPP		1
185	872110620	BULT		1
186	532194321	DISTANSBRICKA		1
187	819133210	BRICKA		1
188	532194323	LÄNK		1
189	532194317	PLATTA		1
190	532194318	REMSTYRARE		1
192	532150360	MUTTER		1
193	817060512	SCREW		1
195	532197332	FÄSTE		1
202	532199589	LÄNK		1
203	819111116	BRICKA		1
205	532121748	BRICKA		1
221	532403187	FJÄDER		1
225	874490560	BULT		1
226	874780716	BULT		1
227	532405296	BRICKA		1
268	819131614	BRICKA		1
275	532182402	PROTECTOR		1

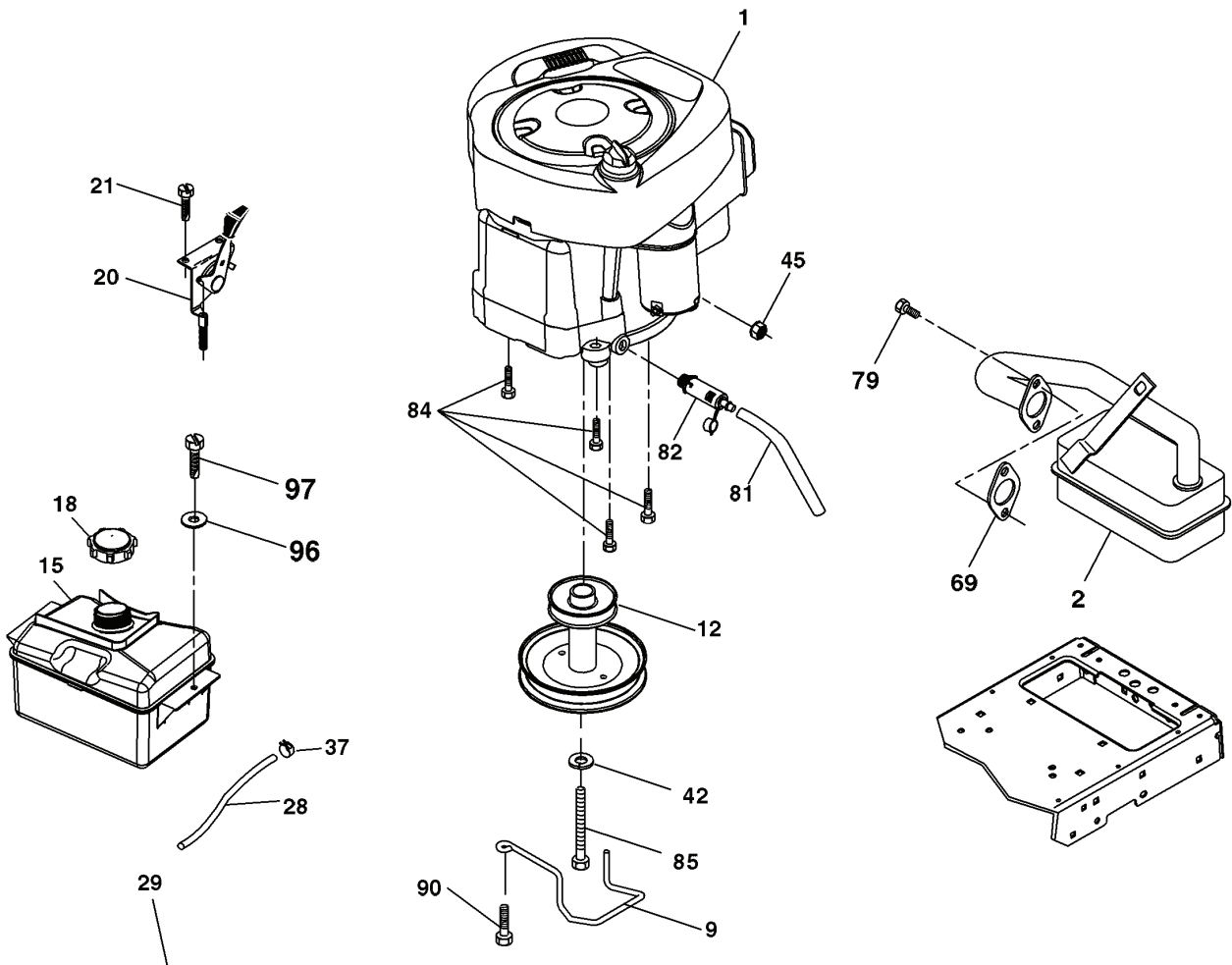
TRACTOR - - MODEL NUMBER LT2216 (96041003102), PRODUCT NO. 960 41 00-31 ELECTRICAL

T02S



REF.	ART. NR	ARTIKELBESKRIVNING	ANMÄRKNING	KIT
1	532144927	BATTERI		1
2	874760412	BULT		1
8	532193228	LÅDA		1
16	532176138	MIKROBRYTARE		1
21	532183759	SELE		1
22	532004152	GLÖDLAMPA		1
25	532401662	KABEL		1
26	532175158	SÄKRING		1
27	873510400	MUTTER		1
28	532198885	KABEL		1
29	532401545	BRYTARE		1
30	532193350	TÄNDMODUL		1
33	532140401	TANGENT		1
34	532110712	BRYTARE		1
40	532400449	KABEL		1
41	817720408	SCREW		1
42	532131563	KÅPA		1
43	532192507	SOLENOID		1
55	817060512	SCREW		1
71	532401098	KABEL		1
79	532175242	HÅLLARE		1
87	532197802	BRYTARE		1
90	532400725	KÅPA		1
92	532196615	KABLAGE KPL		1
93	532192540	SCREW		1
94	532191834	MODULE.REVERSE.ROS		1

**TRACTOR - - MODEL NUMBER LT2216 (96041003102), PRODUCT NO. 960 41 00-31
ENGINE**



OPTIONAL EQUIPMENT
Spark Arrester

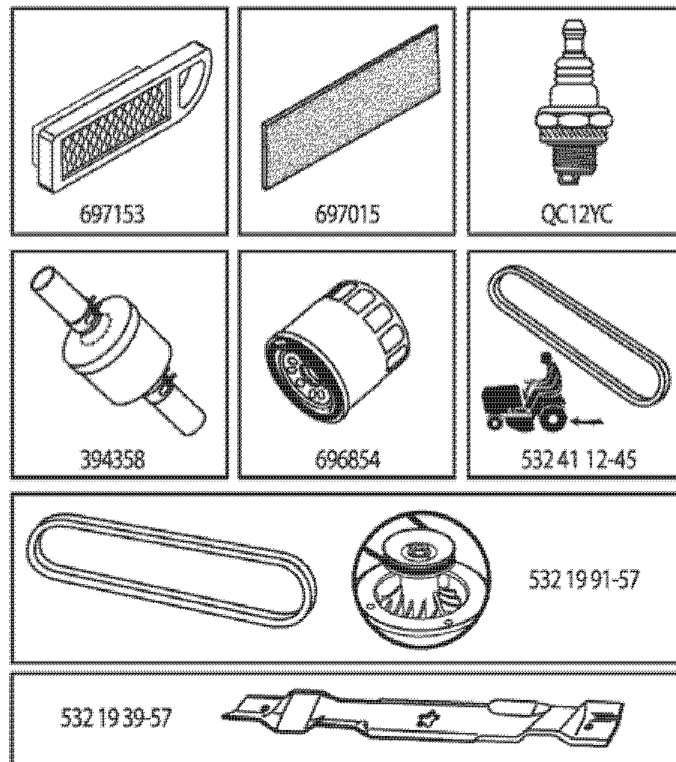
REF.	ART. NR	ARTIKELBESKRIVNING	ANMÄRKNING	KIT
2	532137352	LJUDDÄMPARE		1
9	532194319	REMSSTYRARE		1
12	532401985	REMSKIVA		1
15	532407545	BRÄNSLETANK		1
18	532197725	PLUGG		1
20	532183897	REGLAGE		1
21	532191611	SCREW		1
22	532194981	REGLAGE		1
28	532137040	SLANG		1
29	532137180	SPARK ARRESTER KIT		1
37	532123487	SLANGKLÄMMA		1
42	810040700	BRICKA		1
45	873510400	MUTTER		1
69	532165291	PACKNING		1
79	532192334	SCREW		1
81	532148456	RÖR		1
82	532181654	PLUGG		1
84	817060620	SCREW		1
85	532173937	BULT		1
90	817000616	SCREW		1
96	19091416	BRICKA		1
97	17670412	SKRUV		1

ILLUSTRATED PARTS LIST

MODEL NO. 96041003102

CUSTOMER CATALOG NO. LT2216

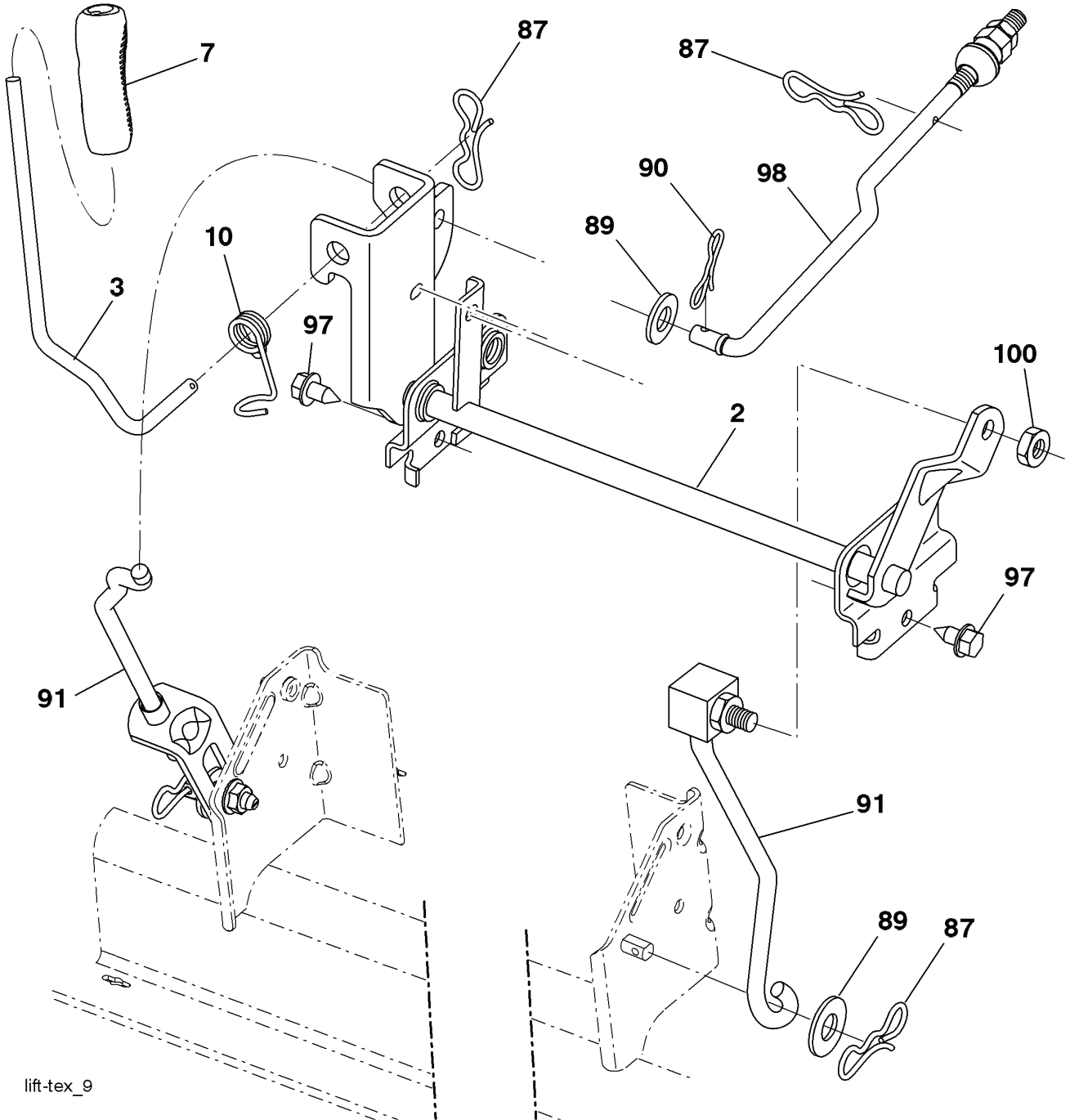
PRODUCT NO. 960 41 00-31



REF.	ART. NR	ARTIKELBESKRIVNING	ANMÄRKNING	KIT
697153	697153	LUFTFILTER		1
394358	394358	FILTER		1
532 19 39-57	532193957	RIDE ON BLADE		1
697015	697015	FÖRFILTER		1
696854	696854	LFILTER CTH170		1
532 41 12-45	532411245	KILREM		1
532 19 91-57	532199157	REM		1

REF.	ART. NR	ARTIKELBESKRIVNING	ANMÄRKNING	KIT
1	532194251	HUS		1
6	532195186	ARM		1
7	532416358	SCREW		1
8	532193003	SCREW		1
11	532193957	RIDE ON BLADE		1
13	532192872	AXEL KPL		1
14	532187281	LAGERHUS		1
15	532110485	LAGER		1
19	532196539	BULT		1
21	873680500	MUTTER		1
23	532192557	GÅNGJÄRN		1
24	532105304	NAVKAPSEL		1
25	532197026	VRIDFJÄDER		1
26	532110452	MUTTER		1
27	532401472	DEFLEKTOR		1
29	532131491	AXEL		1
30	532173984	SCREW		1
31	532187690	BRICKA		1
32	532199789	REMSKIVA		1
33	532400234	MUTTER		1
34	872110612	BULT		1
37	819131316	BRICKA		1
38	532199541	REMSTYRARE		1
40	873900600	MUTTER		1
42	532198410	FJÄDER		1
43	532197256	FJÄDER		1
46	532137729	SCREW		1
55	532197249	ARM		1
56	532199092	DISTANSBRICKA		1
57	817120616	SCREW		1
59	532141043	SKYDD		1
60	532199471	ARM		1
62	872110612	BULT		1
63	532199470	ARM		1
64	532199790	LÄNK		1
67	532403012	HANDTAG		1
68	532408381	REM		1
69	872140505	BULT		1
70	532401246	KOPPLING		1
115	872110505	BULT		1
122	532197258	REMSTYRARE		1
123	532197259	REMSTYRARE		1
144	532156085	REMSTYRARE		1
145	532193197	REMSKIVA		1
147	532401872	FJÄDER		1
149	532165898	FJÄDER		1
152	532408714	KABEL		1
188	532195161	STUD		1
189	873900500	MUTTER		1
195	817000612	SCREW		1
199	532400095	SKYDD		1
209	819133210	BRICKA		1
-	532192870	SPINDEL		1
-	532400422	KLIPPAGGREGAT		1

**TRACTOR - - MODEL NUMBER LT2216 (96041003102), PRODUCT NO. 960 41 00-31
MOWER LIFT**

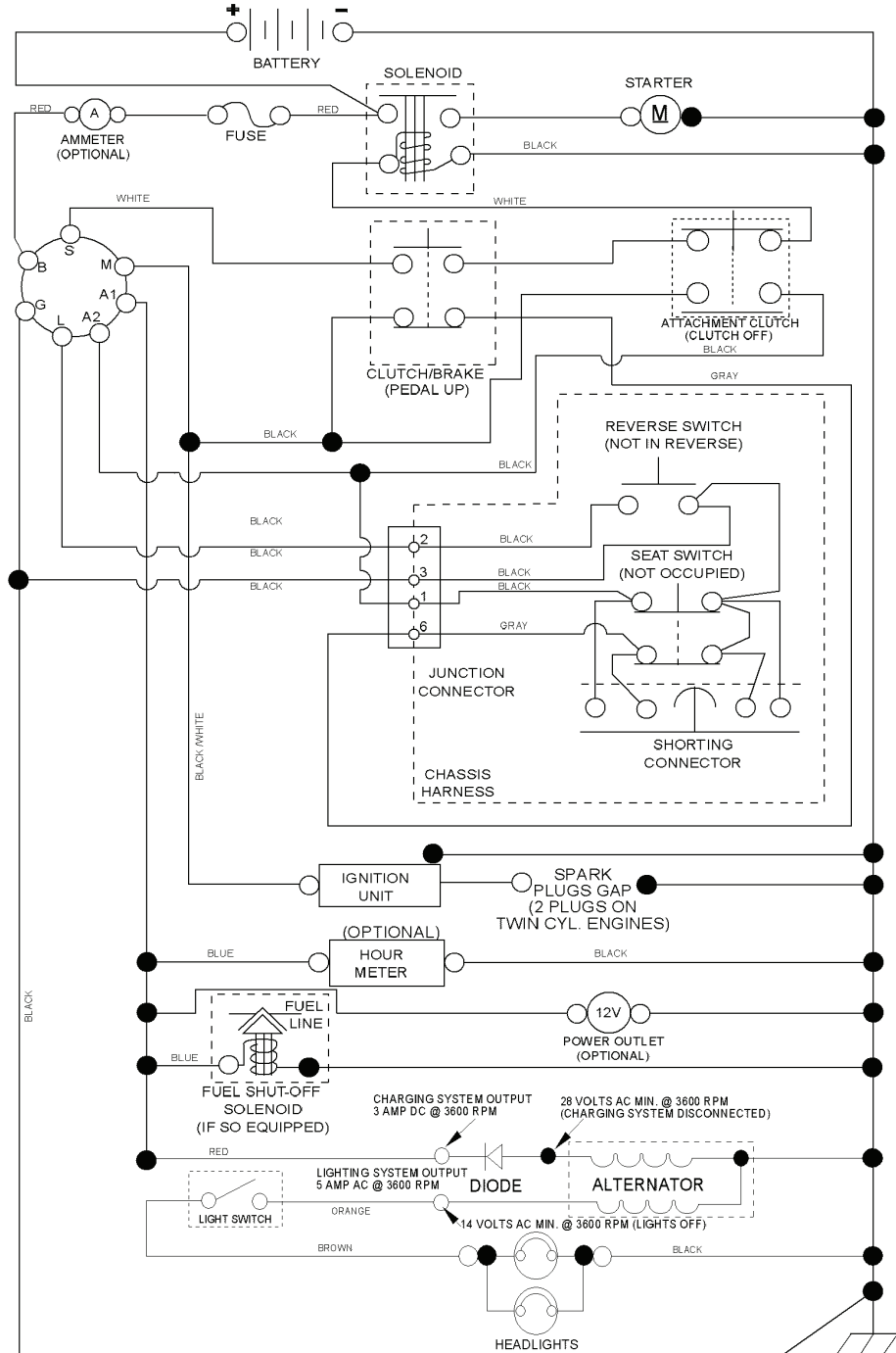


REF.	ART. NR	ARTIKELBESKRIVNING	ANMÄRKNING	KIT
2	532195223	AXEL		1
3	532195231	HÄVARM		1
7	532196492	GREPP		1
10	532196314	FJÄDER		1
87	532194209	FJÄDER		1
89	819191912	BRICKA		1
90	532194208	TAPP		1
91	532195181	LÄNK		1
97	817060612	SCREW		1
98	532195270	LÄNK		1
100	873930600	MUTTER		1

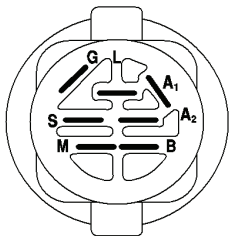
TRACTOR - - MODEL NUMBER LT2216 (96041003102), PRODUCT NO. 960 41 00-31

SCHEMATIC

SCH11

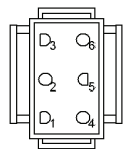


NOTE
 YOUR TRACTOR IS EQUIPPED WITH A SPECIAL ALTERNATOR SYSTEM. THE LIGHTS ARE NOT CONNECTED TO THE BATTERY, BUT HAVE THEIR OWN ELECTRICAL SOURCE. BECAUSE OF THIS, THE BRIGHTNESS OF THE LIGHTS WILL CHANGE WITH ENGINE SPEED. AT IDLE THE LIGHTS WILL DIM. AS THE ENGINE IS SPEEDED UP, THE LIGHTS WILL BECOME THEIR BRIGHTEST.

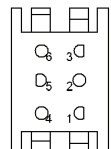


IGNITION SWITCH

POSITION	CIRCUIT	"MAKE"
OFF	M+G+A1	
RUN/OVERRIDE	B+A1	
RUN	B+A1	L+A2
START	B+S+A1	



CHASSIS HARNESS CONNECTOR (MATING SIDE)



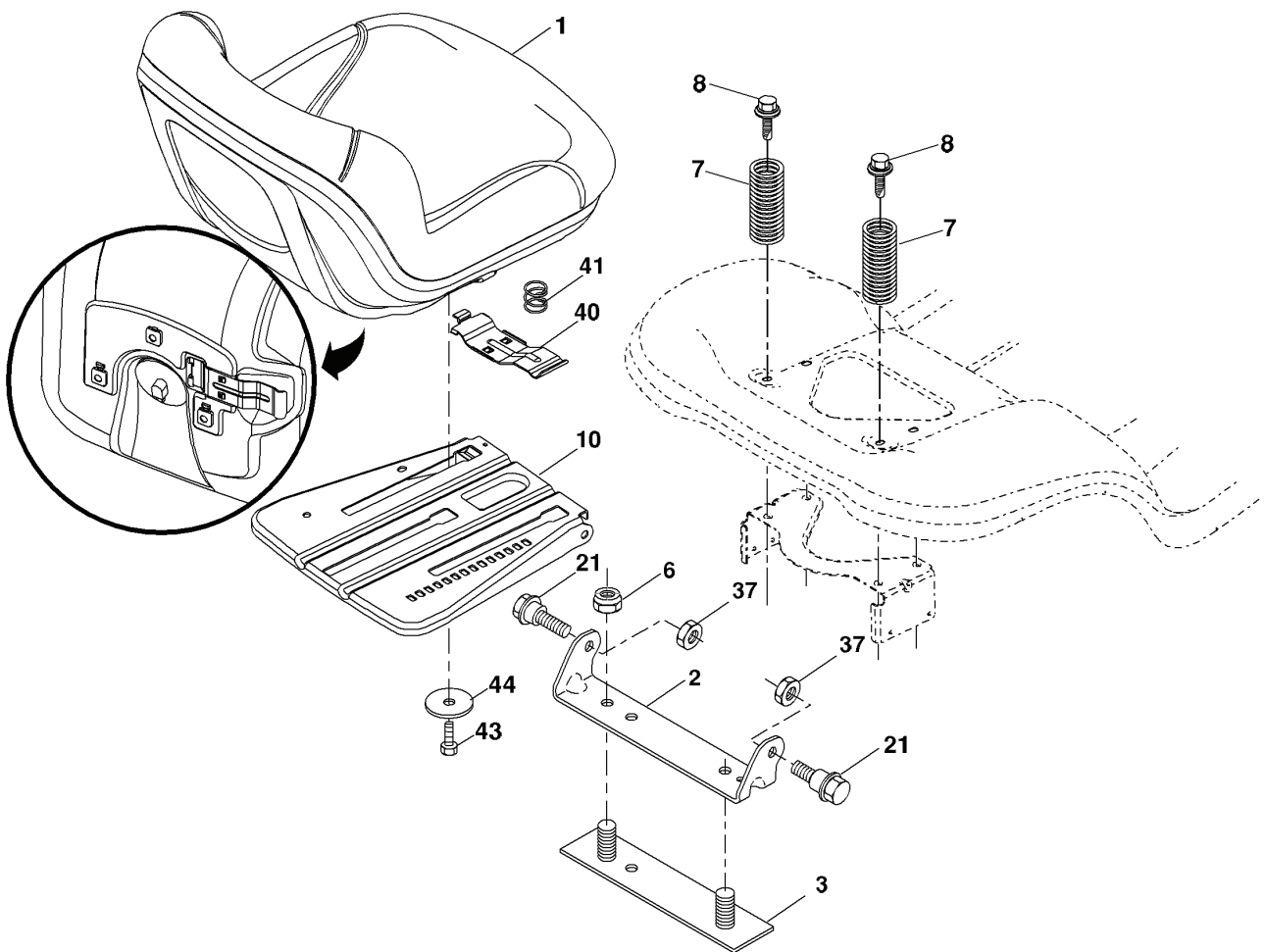
DASH HARNESS CONNECTOR (MATING SIDE)

WIRING INSULATED CLIPS
 NOTE: IF WIRING INSULATED CLIPS WERE REMOVED FOR SERVICING OF UNIT, THEY SHOULD BE RE-INSTALLED TO PROPERLY SECURE YOUR WIRING.

NON-REMOVABLE CONNECTIONS

REMOVABLE CONNECTIONS

**TRACTOR - - MODEL NUMBER LT2216 (96041003102), PRODUCT NO. 960 41 00-31
SEAT ASSEMBLY**

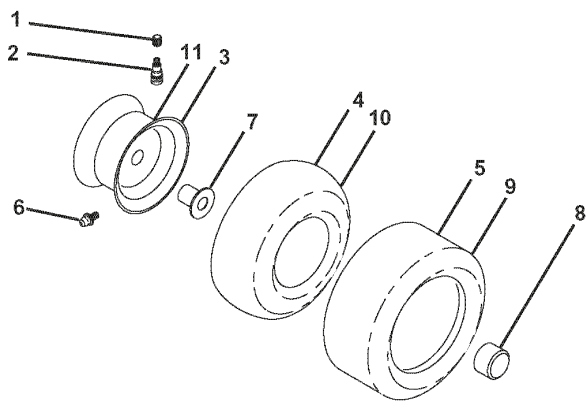


seat-tex_7-vgt

REF.	ART. NR	ARTIKELBESKRIVNING	ANMÄRKNING	KIT
1	532411405	SÅTE		1
2	532180166	FÄSTE		1
3	532140675	SPÄNNBAND		1
6	873800600	MUTTER		1
7	532124181	FJÄDER		1
8	532171877	BULT		1
10	532196977	PLATTA		1
21	532171852	BULT		1
37	873800500	LOCK NUT		1
40	532197661	HANDTAG		1
41	532198200	FJÄDER		1
43	874760612	BULT		1
44	819133812	BRICKA		1

REF.	ART. NR	ARTIKELBESKRIVNING	ANMÄRKNING	KIT
1	532194595	RATT		1
2	532195673	AXEL		1
4	532403087	SPINDEL		1
5	532403088	SPINDEL		1
6	532124931	BRICKA		1
7	532121748	BRICKA		1
8	812000029	FLÄNSRING		1
9	532121232	NAVKAPSEL		1
13	532121749	BRICKA		1
14	810040600	BRICKA		1
15	873540600	MUTTER		1
16	532196074	AXEL		1
19	532194729	PLATTA		1
20	532411291	RATTKOLONN		1
21	532186737	ADAPTER		1
22	532194845	BUSHING		1
26	532194603	NAV		1
28	817000612	SCREW		1
33	810040500	BRICKA		1
35	532194732	PLATTA		1
45	819113812	BRICKA		1
50	873900600	MUTTER		1
53	532188967	BRICKA		1
54	874760636	BULT		1
55	532197636	DISTANSBRICKA		1
57	532407465	FÄSTE		1
58	532194747	BULT		1
59	532194748	BRICKA		1
60	873971000	MUTTER		1
61	532194740	LÄNK		1
62	532194741	LÄNK		1
63	817000512	SCREW		1
64	532199849	FJÄDERFÄSTE		1
65	532194734	FÄSTE		1
66	871020748	BULT		1
67	532194737	BUSHING		1
68	873900700	MUTTER		1
69	532199162	BRICKA		1
70	532196197	FÄSTE		1
71	532196075	AXEL		1
72	874780572	BULT		1
74	532124937	BEARING COL. STRG.		1

**TRACTOR -- MODEL NUMBER LT2216 (96041003102), PRODUCT NO. 960 41 00-31
WHEELS AND TIRES**



REF.	ART. NR	ARTIKELBESKRIVNING	ANMÄRKNING	KIT
1	532059192	CAP VALVE		1
2	532065139	NIPPEL		1
3	532138336	FÄLG		1
4	532059904	SLANG		1
5	532106222	DÄCK		1
6	532124957	FITTING		1
7	532124959	LAGER		1
8	532175039	NAVKAPSEL		1
9	532106268	DÄCK		1
10	532124926	SLANG		1
11	532138337	RINGDREV		1
-	532144334	SEALING FOAM		1
	ART. NR		ANMÄRKNING	KIT