

RESERVDELSKATALOG

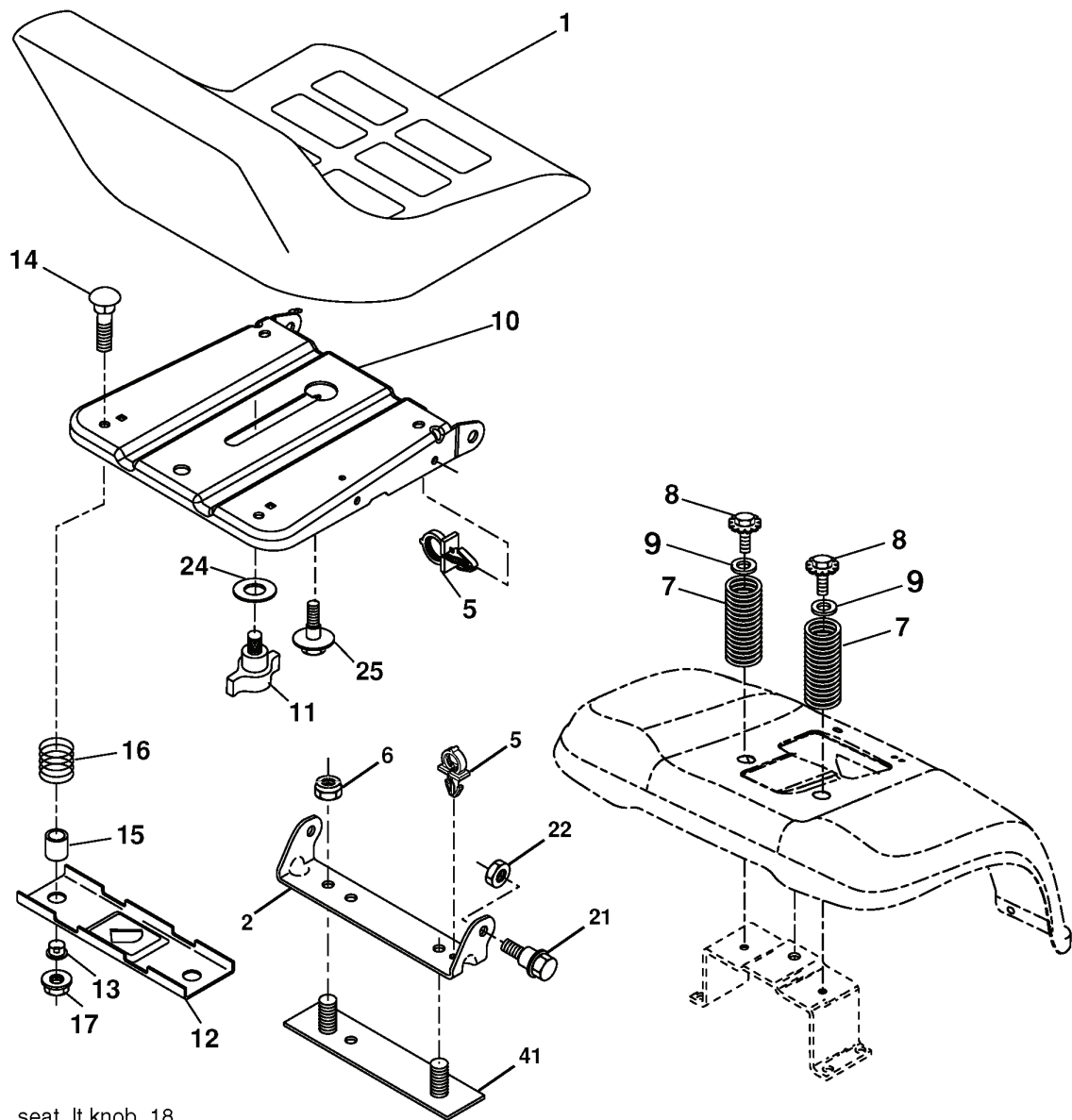
: JONSERED

Reservdelslista

RESERVDELSLISTA

REPAIR PARTS

TRACTOR - MODEL NO. LT2115 (96011018100), PRODUCT NO. 960 11 01-81
SEAT ASSEMBLY



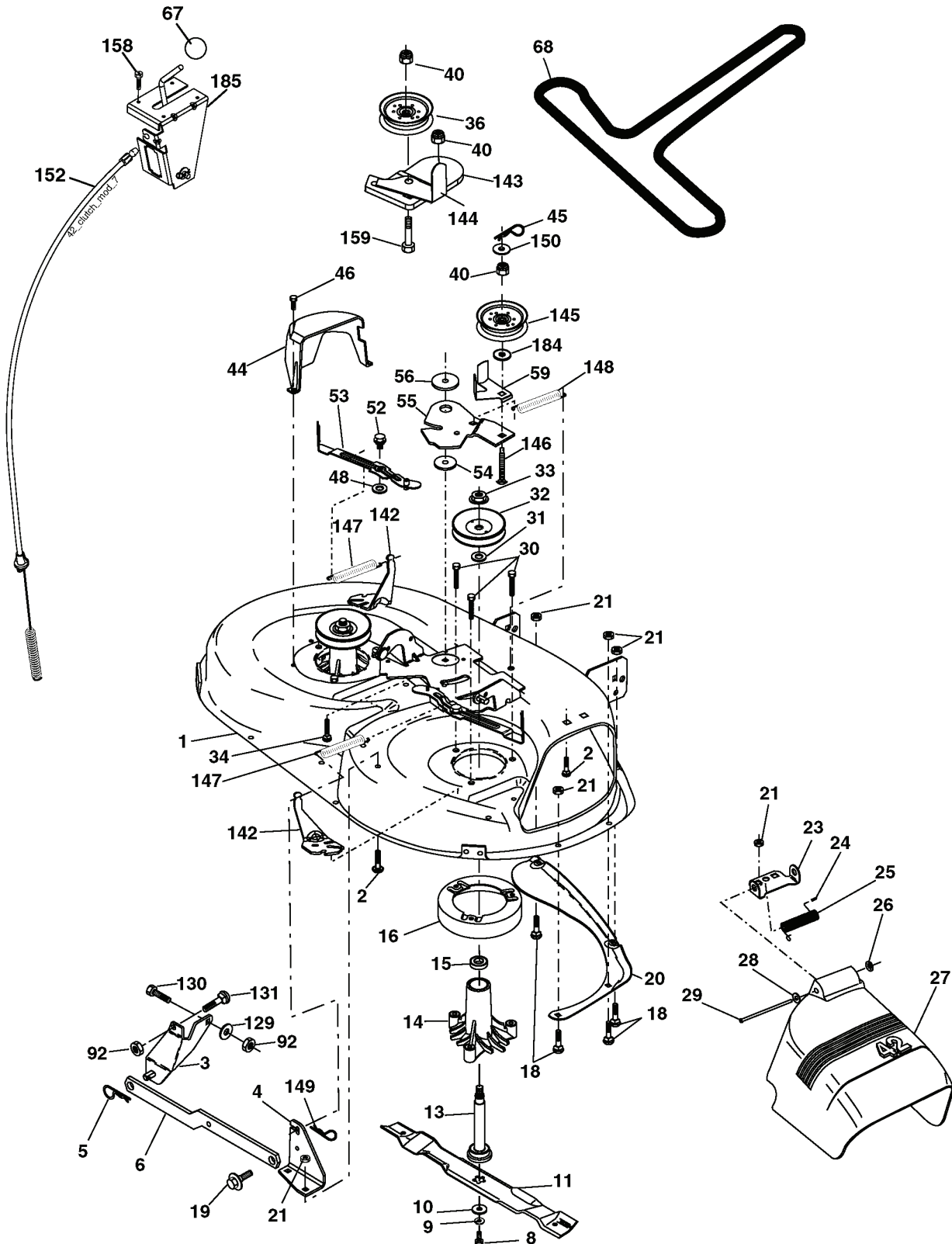
seat_lt.knob_18

REF.	ART. NR	ARTIKELBESKRIVNING	ANMÄRKNING	KIT
1	532401042	SIEGE CONDUCTEUR		1
2	532140551	FÄSTE		1
5	532145006	KLÄMMA		1
6	873800600	MUTTER		1
7	532124181	FJÄDER		1
8	817000616	SCREW		1
9	819131614	BRICKA		1
10	532195530	BERCEAU DE SIEGE CONDUCTEUR		1
11	532166369	VINGMUTTER		1
12	532174648	FÄSTE		1
13	532121248	BUSHING		1
14	872050412	BULT		1
15	532134300	DISTANSBRICKA		1
16	532121250	FJÄDER		1
17	532123976	LOCKNUT		1
21	532171852	BULT		1
22	873800500	LOCK NUT		1
24	819171912	BRICKA		1
25	532127018	BULT		1
41	532140675	SPÄNNBAND		1

REF.	ART. NR	ARTIKELBESKRIVNING	ANMÄRKNING	KIT
1	532170805	CONTROL THROT /CH FLAG		1
2	817720408	SCREW		1
4	532188655	LJUDDÄMPARE		1
8	532171877	BULT		1
13	532185909	PACKNING		1
14	532148456	RÖR		1
23	532169837	VÄRMESKÖLD		1
29	532137180	SPARK ARRESTER KIT		1
31	532187750	TANK		1
32	532197725	PLUGG		1
33	532123487	SLANGKLÄMMA		1
37	532137040	SLANG		1
38	532181654	PLUGG		1
40	532124028	BUSHING		1
44	817670412	SCREW		1
45	817000612	SCREW		1
46	819091416	BRICKA		1
81	873510400	MUTTER		1
105	817120616	SCREW		1
116	532184362	MUTTER		1
117	532188654	TUBE EXHAUST		1

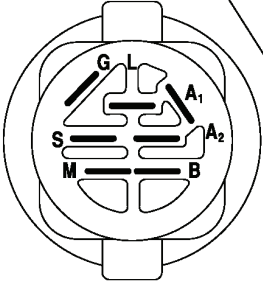
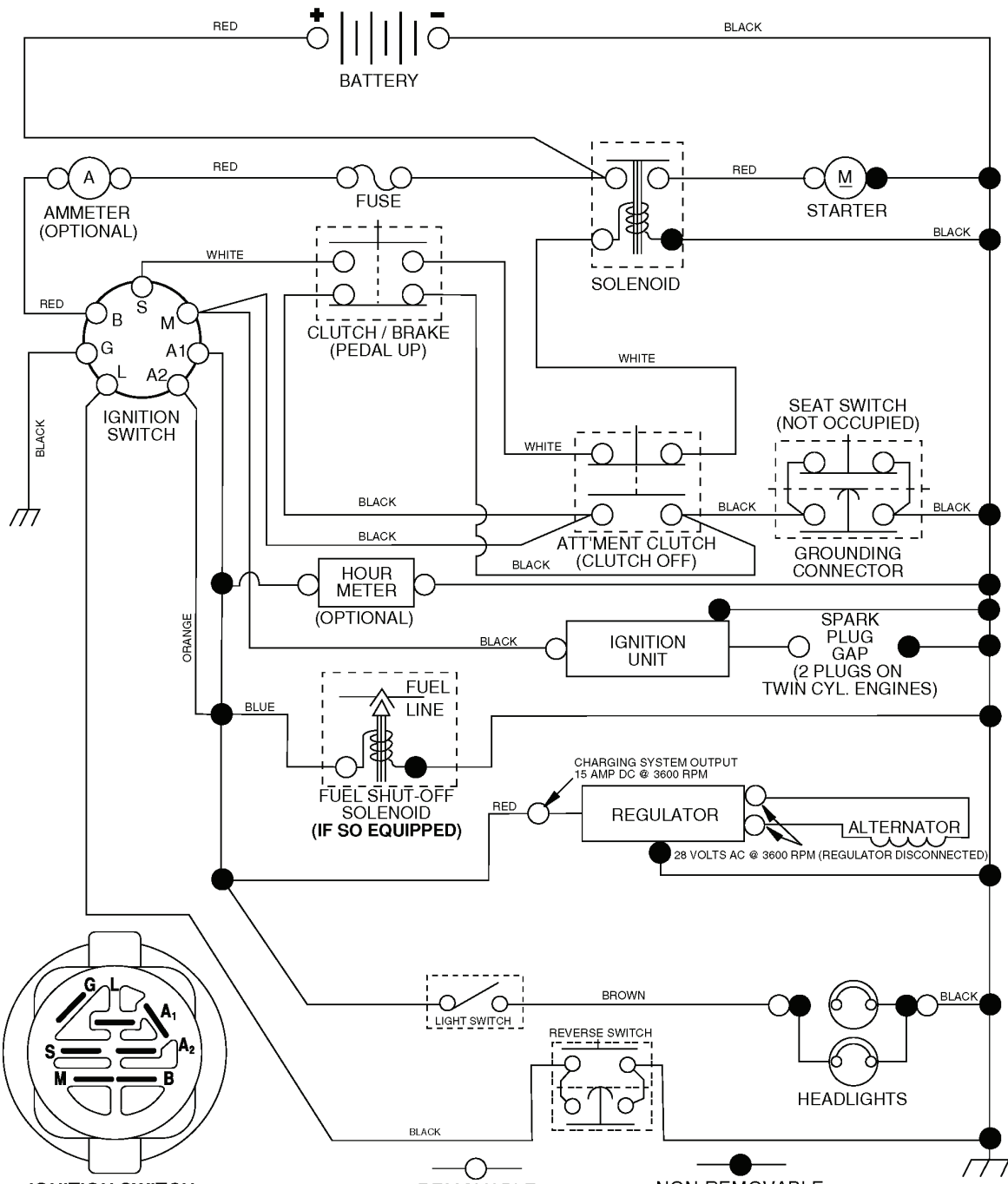
REPAIR PARTS

TRACTOR - MODEL NO. LT2115 (96011018100), PRODUCT NO. 960 11 01-81
MOWER DECK



REF.	ART. NR	ARTIKELBESKRIVNING	ANMÄRKNING	KIT
1	532165892	HOUSING ASM MOWER 42"		1
2	872140506	BULT		1
3	532138017	BRACKE		1
4	532165460	FÄSTE		1
5	532124670	FLÄNSRING		1
6	532178024	HÄVARM		1
8	532850857	BULT		1
9	810030600	BRICKA		1
10	532140296	BRICKA		1
11	532138971	KNIV		1
13	532137645	AXEL		1
14	532128774	LAGERHUS		1
15	532110485	LAGER		1
16	532174493	STRIPPER. MANDREL.BLACK		1
18	872140505	BULT		1
19	532132827	SPEC. BOLT		1
20	532159770	BALK		1
21	873680500	MUTTER		1
23	532177563	FÄSTE		1
24	532105304	NAVKAPSEL		1
25	532123713	FJÄDER		1
26	532110452	MUTTER		1
27	532171859	SHIELD DEFL ECTOR		1
28	819111016	BRICKA		1
29	532131491	AXEL		1
30	532173984	SCREW		1
31	532187690	BRICKA		1
32	532153535	REMSKIVA		1
33	532400234	MUTTER		1
34	872110612	BULT		1
36	532131494	REMSKIVA		1
40	873900600	MUTTER		1
44	532140088	SKYDD		1
45	532124788	FLÄNSRING		1
46	532137729	SCREW		1
48	532133944	BRICKA		1
52	532139888	BULT		1
53	532184907	ARM		1
54	532178515	BRICKA		1
55	532155046	HÄVARM		1
56	532165723	DISTANSBRICKA		1
59	532141043	SKYDD		1
67	532106932	KNOPP		1
68	532180215	V-BELTMOWER		1
92	873800600	MUTTER		1
111	532179292	FÄSTE		1
112	532179293	FÄSTE		1
113	817000510	BULT		1
116	532124842	BULT		1
117	532188606	HJUL		1
118	873930600	MUTTER		1
119	819121414	BRICKA		1
129	819131312	BRICKA		1
130	874780616	BULT		1
131	872140608	BULT		1
142	532165890	FÄSTE		1
143	532157109	FÄSTE		1
144	532158634	REMSTYRARE		1
145	532165888	REMSKIVA		1
146	532171977	AXEL		1
147	532179748	FJÄDER		1
148	532169022	FJÄDER		1
149	532165898	FJÄDER		1
150	819091210	BRICKA		1
152	532181555	KABEL		1
158	817720408	SCREW		1
159	872140614	BULT		1
184	819131410	BRICKA		1
185	532188234	KABEL		1
--	532130794	DORN		1
--	532181385	CUTTER DECK		1

TRACTOR - MODEL NO. LT2115 (96011018100), PRODUCT NO. 960 11 01-81 SCHEMATIC



IGNITION SWITCH

POSITION	CIRCUIT "MAKE"
OFF	M+G+A1
RUN/OVERRIDE	B+A1
RUN	B+A1 L+A2
START	B + S + A1

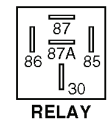
3054

REMOVABLE CONNECTIONS

NON-REMOVABLE CONNECTIONS

WIRING INSULATED CLIPS

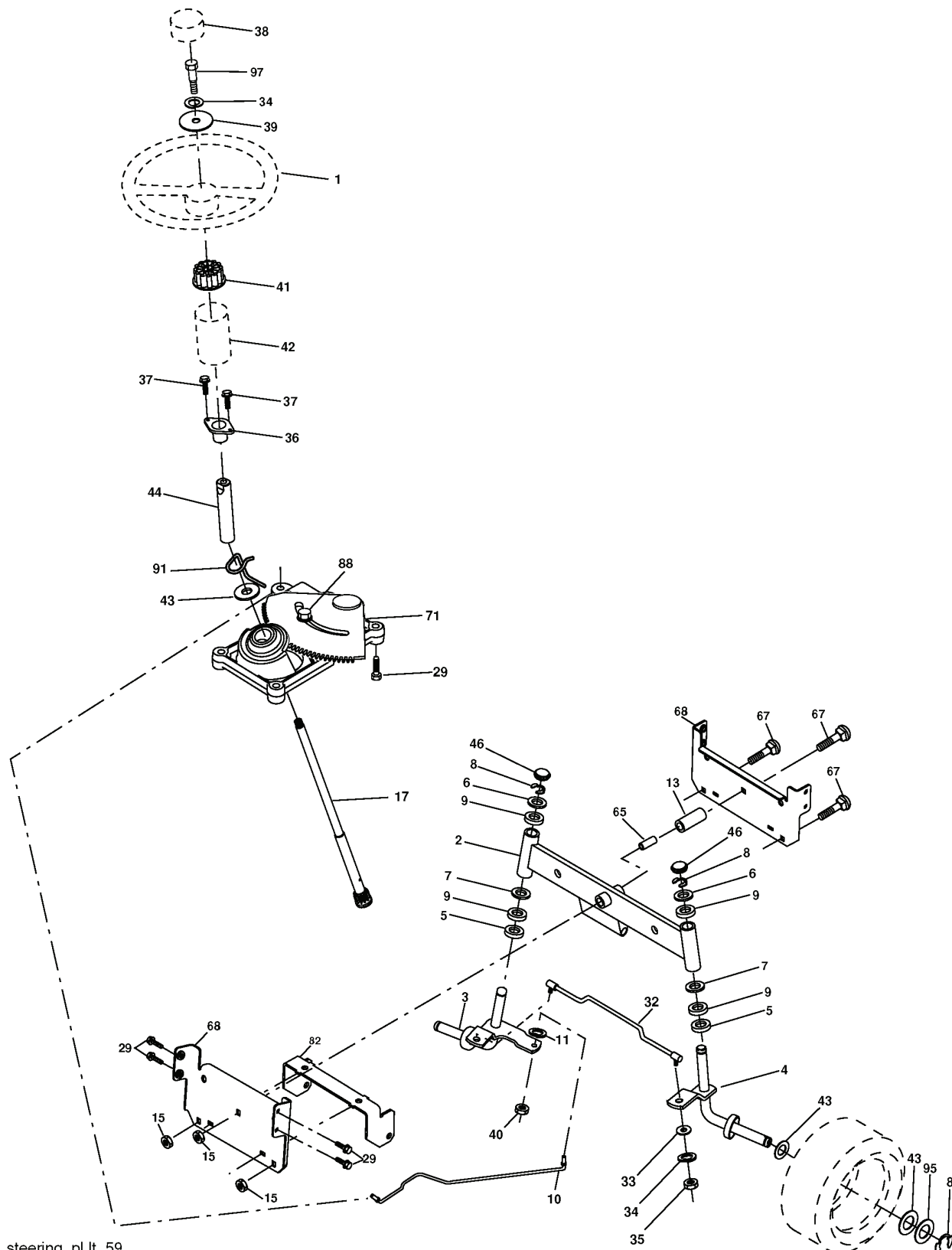
NOTE: IF WIRING INSULATED CLIPS WERE REMOVED FOR SERVICING OF UNIT, THEY SHOULD BE REPLACED TO PROPERLY SECURE YOUR WIRING.



RELAY

REPAIR PARTS

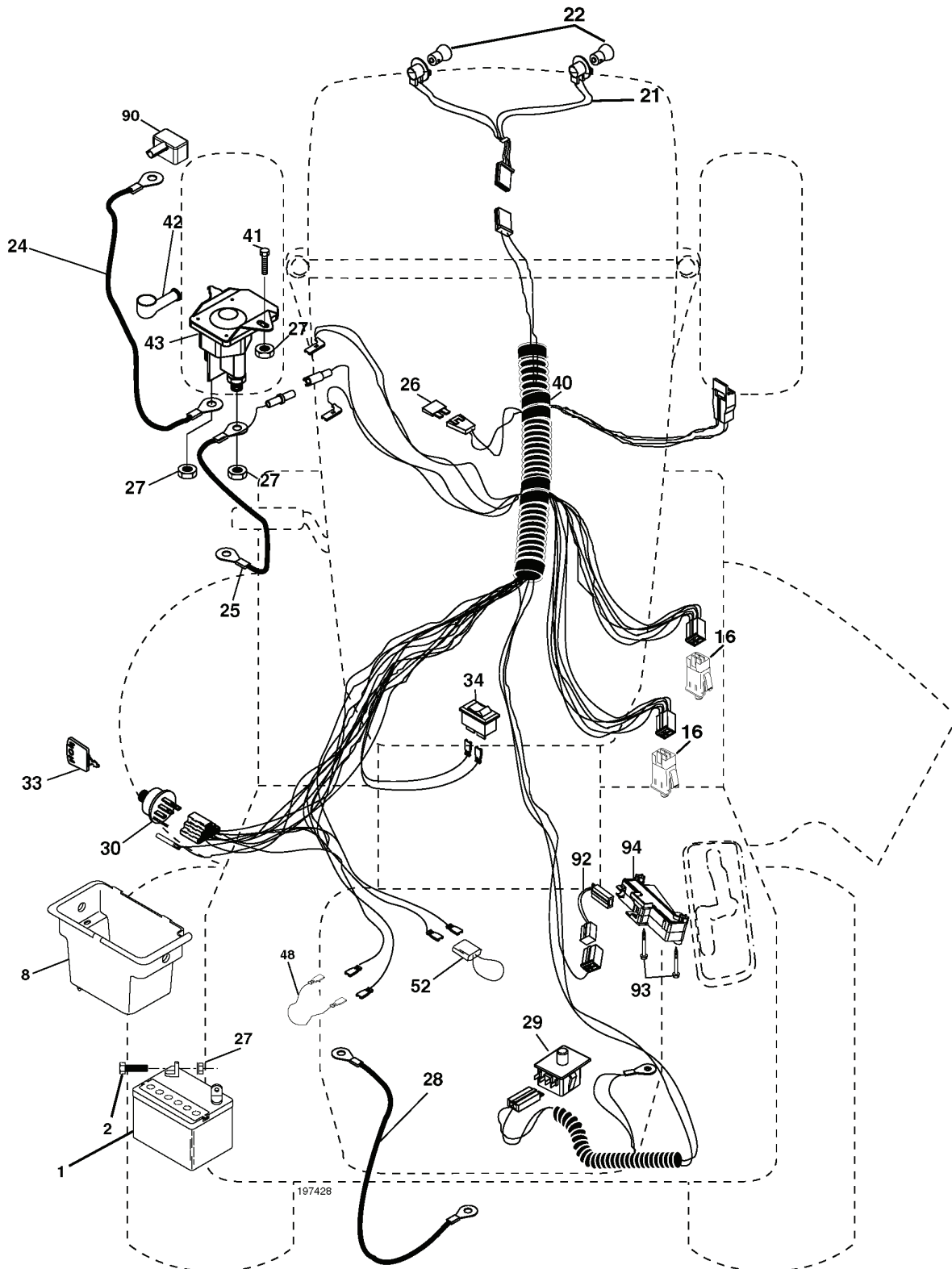
TRACTOR - MODEL NO. LT2115 (96011018100), PRODUCT NO. 960 11 01-81
STEERING ASSEMBLY



REF.	ART. NR	ARTIKELBESKRIVNING	ANMÄRKNING	KIT
1	532194595	RATT		1
2	532195673	AXEL		1
3	532169840	SPINDEL		1
4	532169839	SPINDEL		1
5	532124931	BRICKA		1
6	532121748	BRICKA		1
7	819272016	BRICKA		1
8	812000029	FLÄNSRING		1
9	532124937	BEARING COL. STRG.		1
10	532175121	STÅNG		1
11	810040600	BRICKA		1
13	532136518	RÖR		1
15	532145212	MUTTER		1
17	532190753	STÅNG		1
29	817000612	SCREW		1
32	532171888	STÅNG		1
33	819111216	BRICKA		1
34	810040500	BRICKA		1
35	873540500	MUTTER		1
36	532155099	BUSHING		1
37	532152927	SCREW		1
38	532194603	NAV		1
39	819113812	BRICKA		1
40	873540600	MUTTER		1
41	532186737	ADAPTER		1
42	532169633	HYLSA		1
43	532121749	BRICKA		1
44	532190752	AXEL		1
46	532121232	NAVKAPSEL		1
65	532160367	DISTANSBRICKA		1
67	872110618	BULT		1
68	532169827	AXEL		1
71	532175146	STEERING GEAR		1
82	532199978	SUPPORT ESSIEU AVANT		1
88	532175118	BULT		1
91	532175553	FJÄDER		1
95	532188967	BRICKA		1
97	874780564	BULT		1

REPAIR PARTS

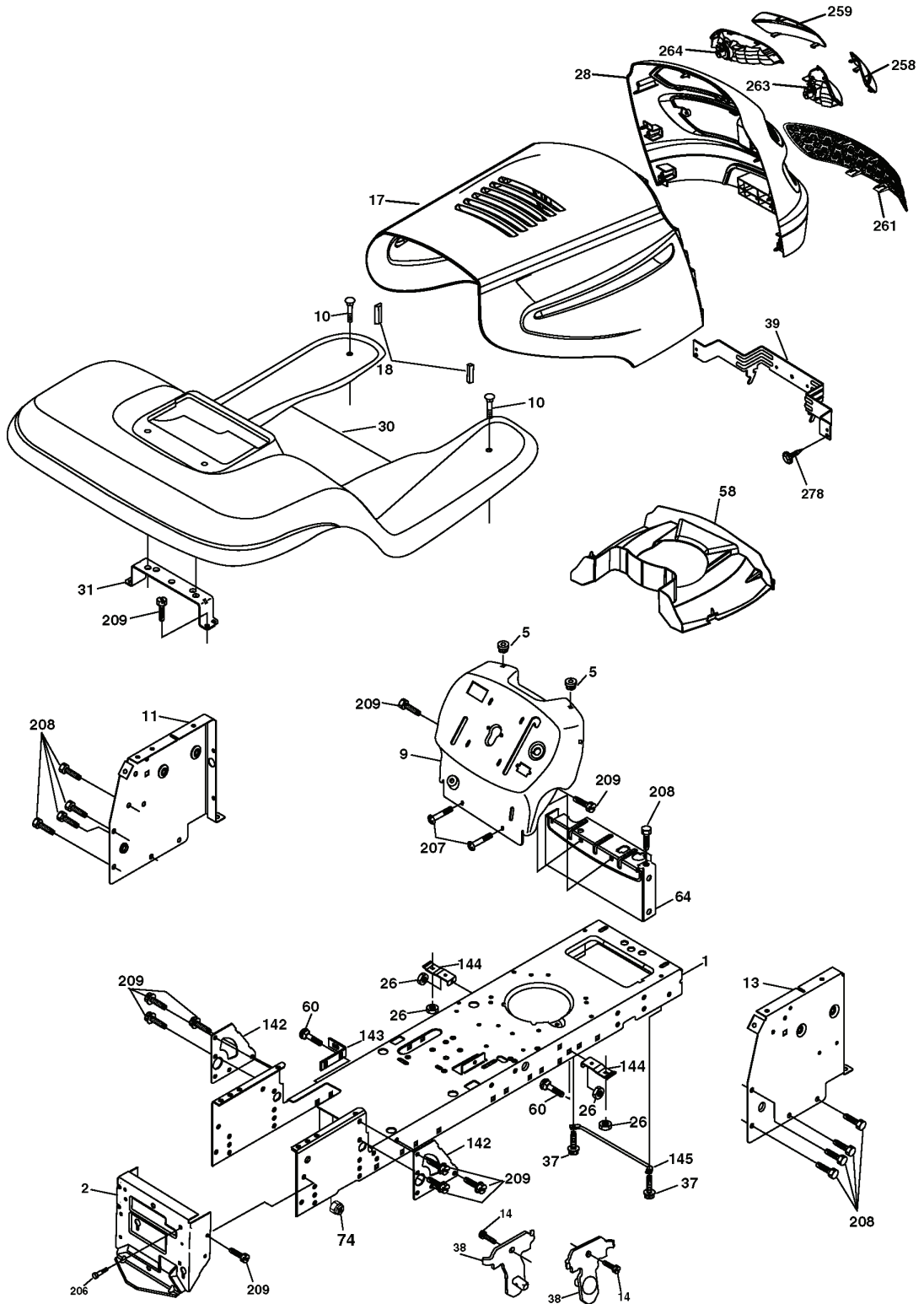
TRACTOR - MODEL NO. LT2115 (96011018100), PRODUCT NO. 960 11 01-81
ELECTRICAL



REF.	ART. NR	ARTIKELBESKRIVNING	ANMÄRKNING	KIT
1	532144927	BATTERI		1
2	874760412	BULT		1
8	532176689	BATTERILÅDA		1
16	532176138	MIKROBRYTARE		1
21	532183759	SELE		1
22	532004152	GLÖDLAMPA		1
24	532124780	KABEL		1
25	532146147	KABEL		1
26	532175158	SÄKRING		1
27	873510400	MUTTER		1
28	532124773	KABEL		1
29	532192749	SWITCH.SEAT.DP W/RAMPS		1
30	532193350	TÄNDMODUL		1
33	532140401	TANGENT		1
34	532110712	BRYTARE		1
40	532179428	KABEL		1
41	871110408	BULT		1
42	532131563	KÅPA		1
43	532192507	SOLENOID		1
48	532140844	ADAPTER		1
52	532141940	VAJER		1
90	532180449	KÅPA		1
92	532196615	KABLAG E KPL		1
93	532192540	SCREW		1
94	532191834	MODULE.REVERSE.ROS		1

REPAIR PARTS

TRACTOR - MODEL NO. LT2115 (96011018100), PRODUCT NO. 960 11 01-81
CHASSIS AND ENCLOSURES



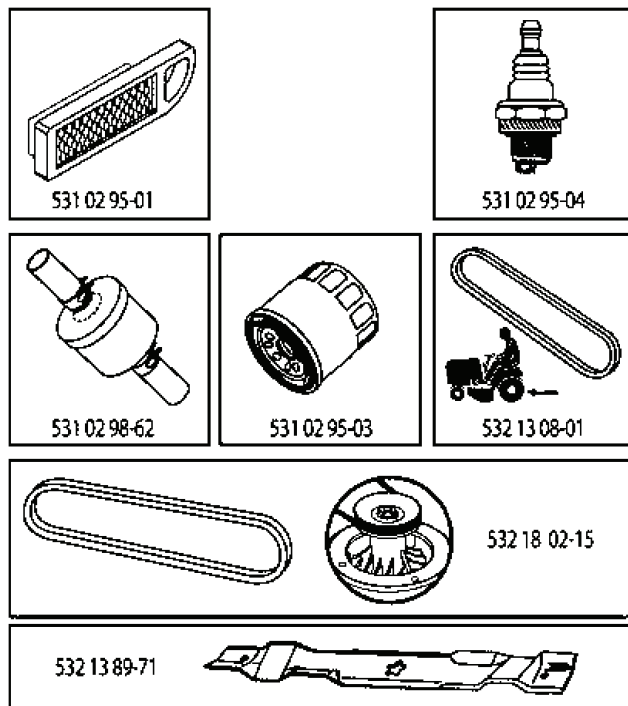
REF.	ART. NR	ARTIKELBESKRIVNING	ANMÄRKNING	KIT
1	532174619	RAM		1
2	532176554	PLATTA		1
5	532155272	DAMPER		1
9	532194822	PANEL		1
10	872140608	BULT		1
11	532174996	PANEL		1
13	532186952	PANEL DASH RH		1
14	817490608	SCREW		1
17	532194757	HUV		1
18	532184921	STÖTFÅNGARE		1
26	873800600	MUTTER		1
28	532192915	HUV		1
30	532195296	AILE*RPL.PAR 532192813505		1
31	532139976	FÄSTE		1
37	817490508	SCREW		1
38	532175710	FÄSTE		1
39	532174714	BRACKET PIVOT LASER LT		1
58	532184322	DUCT		1
60	872140606	BULT		1
64	532154798	PANEL		1
74	873680600	MUTTER		1
142	532175702	PLATTA		1
143	532186689	FÄSTE		1
144	532175582	FÄSTE		1
145	532156524	AXEL		1
206	532170165	BULT		1
207	817670508	SCREW		1
208	817670608	SCREW		1
209	817000612	SCREW		1
258	532189755	LENS GRILLE RH		1
259	532189754	LENS GRILLE LH		1
261	532189753	INSERT GRILLE		1
263	532183833	SUPPORT DE PHARE DROIT		1
264	532183832	SUPPORT DE PHARE GAUCHE		1
278	532191611	SCREW		1
--	532005479	PLUGG		1
--	532187801	PLUGG		1

ILLUSTRATED PARTS LIST

MODEL NO. 96011018100

CUSTOMER CATALOG NO. LT2115

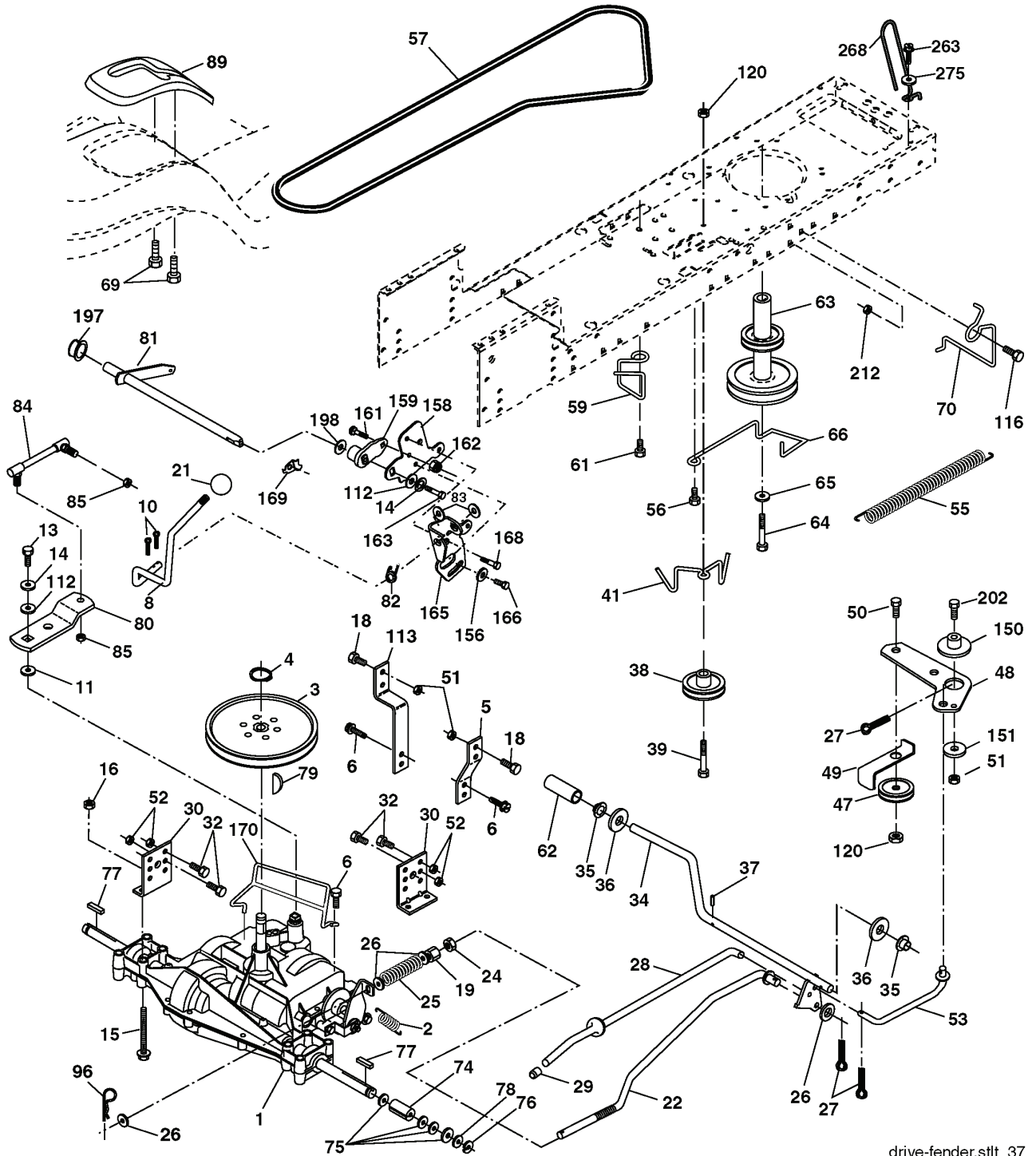
PRODUCT NO. 960 11 01-81



REF.	ART. NR	ARTIKELBESKRIVNING	ANMÄRKNING	KIT
531 02 95-01	531029501	LUFTFILTER		1
531 02 98-62	531029862	FILTER		1
532 13 89-71	532138971	KNIV		1
531 02 95-03	531029503	FILTER		1
531 02 95-04	531029504	TÄNDSTIFT		1
532 13 08-01	532130801	KILREM		1
532 18 02-15	532180215	V-BELTMOWER		1

REPAIR PARTS

TRACTOR - MODEL NO. LT2115 (96011018100), PRODUCT NO. 960 11 01-81
DRIVE

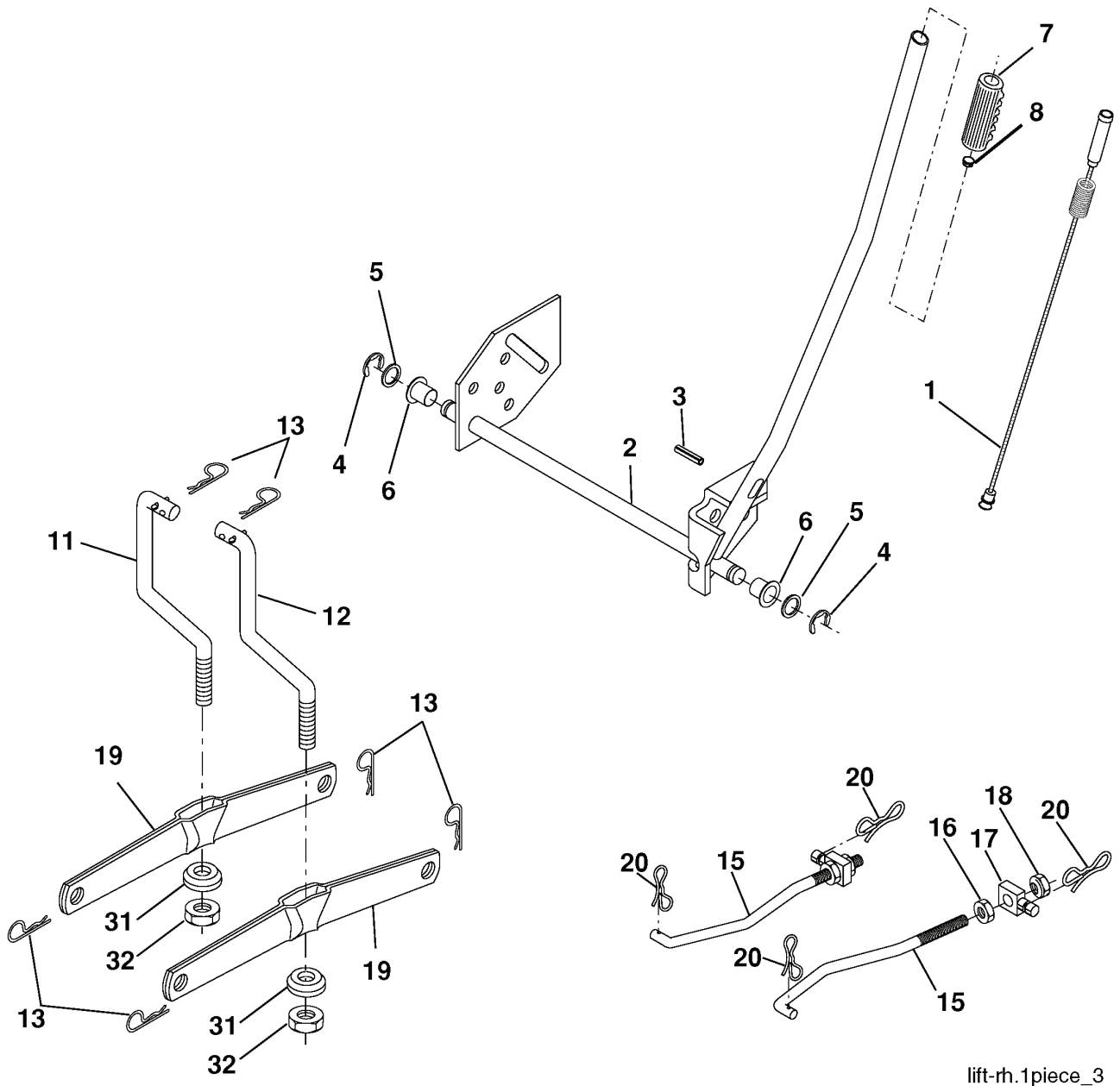


REF.	ART. NR	ARTIKELBESKRIVNING	ANMÄRKNING	KIT
2	532146682	FJÄDER		1
3	532123666	REMSKIVA		1
4	812000028	KLÄMMA		1
5	532121520	FÄSTE		1
6	817060512	SCREW		1
8	532192502	ROD SHIFT		1
10	876020416	SPLIT PIN		1
11	532105701	BRICKA		1
13	874550412	BULT		1
14	810040400	BRICKA		1
15	874490544	SCREW		1
16	873800500	LOCK NUT		1
18	874780616	BULT		1
19	873800600	MUTTER		1
21	532121274	KNOPP		1
22	532130804	STÅNG		1
24	873350600	MUTTER		1
25	532106888	FJÄDER		1
26	819131316	BRICKA		1
27	876020412	SPLIT PIN		1
28	532175765	AXEL		1
29	532071673	KÅPA		1
30	532174973	FÄSTE		1
32	874760512	BULT		1
34	532175578	AXEL		1
35	532120183	LAGER		1
36	819211616	BRICKA		1
37	532124963	PIN RETAINING SCREW		1
38	532179114	REMSKIVA		1
39	872110622	BULT		1
41	532175556	REMSTYRARE		1
47	532127783	REMSKIVA		1
48	532154407	STYRNING		1
49	532123205	REMSTYRARE		1
50	872110612	BULT		1
51	873680600	MUTTER		1
52	873680500	MUTTER		1
53	532199652	TIGE DE TENSION POULIE		1
55	532105709	FJÄDER		1
56	817060620	SCREW		1
57	532138255	REM		1
59	532169691	REMSTYRARE		1
61	817120614	SCREW		1
62	532124872	PEDAL RUBBER		1
63	532180219	REMSKIVA		1
64	532173937	BULT		1
65	810040700	BRICKA		1
66	532154778	SPÄNNARE		1
69	532142432	SCREW		1
70	532180218	REMSTYRARE		1
74	532137057	DISTANSBRICKA		1
75	532121749	BRICKA		1
76	812000001	FLÄNSRING		1
77	532123583	TANGENT		1
78	532121748	BRICKA		1
79	532125096	WOODRUFFKIL		1
80	532131486	STÅNG		1
81	532165594	AXEL		1
82	532165711	FJÄDER		1
83	819171216	BRICKA		1
84	532166228	LÄNK		1
85	532150360	MUTTER		1
89	532195394	KONSOL		1
96	532124788	FLÄNSRING		1
112	819091210	BRICKA		1
113	532127285	FÄSTE		1
116	872140608	BULT		1
120	873900600	MUTTER		1
150	532175456	DISTANSBRICKA		1
151	819133210	BRICKA		1
156	532166002	BRICKA		1
158	532165589	FÄSTE		1
159	532183900	HÄVARM		1
161	872140406	BULT		1
162	873680400	MUTTER		1
163	874780416	BULT		1
165	532165623	FÄSTE		1
166	817490510	SCREW		1

REF.	ART. NR	ARTIKELBESKRIVNING	ANMÄRKNING	KIT
168	532165492	BULT		1
169	532165580	HÅLLARE		1
170	532187414	STYRNING		1
197	532169613	HYLSA		1
198	532169593	BRICKA		1
202	872110614	BULT		1
212	532145212	MUTTER		1
263	817000612	SCREW		1
268	532182402	PROTECTOR		1
275	819131614	BRICKA		1

REPAIR PARTS

TRACTOR - MODEL NO. LT2115 (96011018100), PRODUCT NO. 960 11 01-81
MOWER LIFT

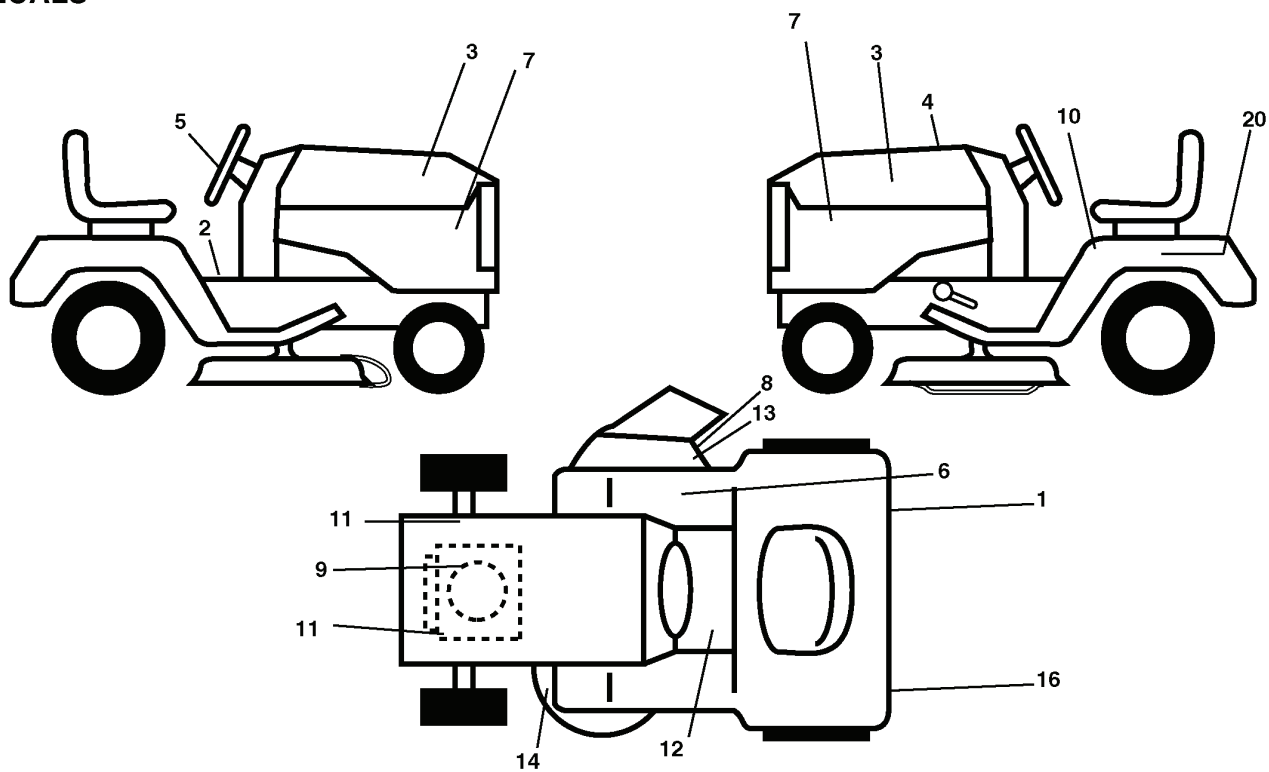


lift-rh.1piece_3

REF.	ART. NR	ARTIKELBESKRIVNING	ANMÄRKNING	KIT
1	532198417	FJÄDER		1
2	532198070	AXEL		1
3	532188822	RÄFFELPINNE		1
4	812000002	FLÄNSRING		1
5	819211621	BRICKA		1
6	532120183	LAGER		1
7	532109413	GREPP		1
8	532122365	PLUGG		1
11	532139865	LÄNK		1
12	532139866	LÄNK		1
13	532124670	FLÄNSRING		1
15	532173288	LÄNK		1
16	873350800	MUTTER		1
17	532175689	FÄSTE		1
18	873800800	MUTTER		1
19	532139868	HÄVARM		1
20	532194209	FJÄDER		1
31	532169865	LAGER		1
32	873540600	MUTTER		1

REPAIR PARTS

TRACTOR - MODEL NO. LT2115 (96011018100), PRODUCT NO. 960 11 01-81
DECALS

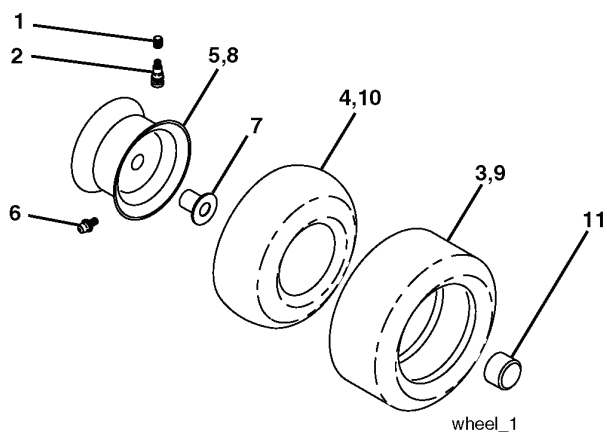


REF.	ART. NR	ARTIKELBESKRIVNING	ANMÄRKNING	KIT
1	532188834	DEKAL		1
2	532140837	DEKAL		1
3	532189553	DEKAL		1
4	532401232	DEKAL		1
5	532185773	DEKAL		1
6	532180432	DEKAL		1
7	532188876	DEKAL		1
8	532182166	DEKAL		1
9	532196841	DEKAL		1
10	532400389	DEKAL		1
11	532159736	DEKAL		1
12	532159737	DEKAL		1
13	532196357	DECALC:"DANGER DEFLECTEUR"		1
14	532160396	DEKAL		1
16	532183930	DEKAL		1
20	532145005	DEKAL		1
--	532162598	DEKAL		1
--	532138311	DEKAL		1
--	532188252	PAD. FOOTREST LH		1
--	532188253	PAD. FOOTREST RH		1
--	532400889	OPERATORS MANUAL		1
--	532400890	OPERATORS MANUAL		1
--	532401468	OPERATORS MANUAL		1
--	532401469			1

REPAIR PARTS

TRACTOR - MODEL NO. LT2115 (96011018100), PRODUCT NO. 960 11 01-81

WHEELS & TIRES



REF.	ART. NR	ARTIKELBESKRIVNING	ANMÄRKNING	KIT
1	532059192	CAP VALVE		1
2	532065139	NIPPEL		1
3	532106222	DÄCK		1
4	532059904	SLANG		1
5	532138336	FÄLG		1
6	532124957	FITTING		1
7	532124959	LAGER		1
8	532138337	RINGDREV		1
9	532106268	DÄCK		1
10	532124926	SLANG		1
11	532175039	NAVKAPSEL		1
--	532144334	SEALING FOAM		1
	ART. NR		ANMÄRKNING	KIT